

International Waterski & Wakeboard Federation



World Cableski Council



WORLD CABLESKI TECHNICAL RULES Edition 2016

Version 1

Confederational Additional Rules Edition 2016

Version 1

Contents

Cableski Technical Rules	9
Rule 1: General	9
Rule 1.1: Applicability of these rules	9
Rule 1.2: Exceptions to the rules	9
Rule 1.3: Interpretation of the rules	9
Rule 1.4: Amendments to the rules	9
Rule 1.5: Cableski World Championships Dates	9
Rule 1.6: Effectivity of the Cableski World Championships	9
Rule 1.7: Drug testing	9
Rule 1.8: Unsportsmanlike conduct	9
Rule 2: Competition entry requirements	10
Rule 2.1: Cableski World Championships entry and administration	10
Rule 2.2: Team selection	10
Rule 2.3: Non-team skiers	10
Rule 2.3: Skier eligibility	10
Rule 3: Competition events and divisions	10
Rule 3.1: Events	10
Rule 3.2: Divisions	11
Rule 3.3: Rounds	11
Rule 3.4: Schedule of events	11
Rule 3.5: Schedule changes	12
Rule 3.6: Completion	12
Rule 3.7: Starting order	12
Rule 3.8: Rating effectivity	12
Rule 3.9: Familiarization	12
Rule 4: Overall and team competition	13
Rule 4.1: Overall scoring	13
Rule 4.2: Overall calculation	13
Rule 4.3: Qualification for Overall scoring	13
Rule 4.4: Overall placement	13
Rule 4.5: Team scoring	13
Rule 5: Safety of competition and security of technical installations	13
Rule 5.1: Safety Director	13
Rule 5.2: Safety competition stoppages	14
Rule 5.3: Equipment safety	14
Rule 5.4: Unsafe skier disqualification	14
Rule 5.5: Safety boats	14
Rule 5.6: Safety boat personnel	14
Rule 5.7: On site medical facilities	14
Rule 5.8: Life jackets	15
Rule 6: Rerides	15
Rule 6.1: Reride criteria	15
Rule 6.2: Granted reride procedure	15
Rule 6.3: Request for rerides	15
Rule 6.4: Warm up passes	15
Rule 7: Protests	15

Rule 7.1: Procedure	15
Rule 7.2: Reasons for protests	15
Rule 7.3: Protest submission	15
Rule 7.4: Computation errors	15
Rule 8: Installation, skis, tow lines	16
Rule 8.1: Installation	16
Rule 8.2: Skis	16
Rule 8.3: Tow lines	16
Rule 8.4: Pre-stretching of Tow lines	17
Rule 8.5: Tow lines and handles for the Trick event	17
Rule 8.6: Tow lines and handles in the Slalom and the Jump event.	17
Rule 8.7: Bibs	17
Rule 8.8: Non competition supplied equipment	17
Rule 8.9: Tow lines for the Jump event	17
Rule 8.10: Spectra ropes for Jump events	17
Rule 9: Speeds and tolerances	18
Rule 9.1: Tolerances	18
Rule 9.2: Accuracy of timing devices	18
Rule 9.3: Timing for Slalom and Jumping	18
Rule 9.4: Position of Timers	18
Rule 9.5: Timing devices for timing of Slalom and Jump	18
Rule 10: Definitions	18
Rule 10.1: Competition area	18
Rule 10.2: Definition of a fall	18
Rule 10.3: Definition of skiing position	19
Rule 10.4: Start of the skier	19
Rule 10.5: Disqualification of the skier at the start	19
Rule 10.6: Team representative	19
Rule 10.7: Time of posting	19
Rule 10.8: Usage of a run off	19
Rule 11: Jumping	19
Rule 11.1: General Jump Event Conditions	19
Rule 11.2: Refusal of the skier	20
Rule 11.3: Competition area	20
Rule 11.4: Description of the Jump Ramp	20
Rule 11.5: Jumping speeds	21
Rule 11.6: Officials stopping a jump	21
Rule 11.7: Scoring of a jump	21
Rule 11.8: The result of a skier falling	21
Rule 11.9: Officials	21
Rule 11.10: Timing	21
Rule 11.11: Safety Equipment	21
Rule 11.12: Jump distance measuring	21
Rule 11.13: Use of a video jump measurement system	22
Rule 11.14: Scoring	22
Rule 11.15: Ties	22
Rule 12: Slalom	22
Rule 12.1: General	22
Rule 12.2: Refusal of a skier	23

Rule 12.3: Competition area	23
Rule 12.4: Buoys	23
Rule 12.5: A fall in Slalom	23
Rule 12.6: Scoring buoys	23
Rule 12.7: End of the slalom run	23
Rule 12.8: A miss or „riding over“	24
Rule 12.9: Slalom towers	24
Rule 12.10: Judging slalom	24
Rule 12.11: Timing	24
Rule 12.12: Safety equipment	24
Rule 12.13: Scoring	24
Rule 12.14: Challenging a score	25
Rule 12.15: Ties	25
Rule 13: Tricks	25
Rule 13.1: General	25
Rule 13.2: Refusal of a skier	25
Rule 13.3: Competition area	25
Rule 13.4: Speed	25
Rule 13.5: Start of trick pass timing	25
Rule 13.6: End of the trick pass	26
Rule 13.7: A fall before the pass	26
Rule 13.8: Use of a release or braking the cable	26
Rule 13.9: Officials	26
Rule 13.10: Communication with the Judges	26
Rule 13.11: Timing the trick pass	26
Rule 13.12: Challenging the timing of the trick pass	27
Rule 13.13: Judging tricks	27
Rule 13.14: Use of the video camera	27
Rule 13.15: Credit for tricks	27
Rule 13.16: Tricks at the end of the pass	27
Rule 13.17: Trick lists	28
Rule 13.18: Calculation of the trick result	28
Rule 13.19: Trick descriptions	28
Rule 13.20: Scoring	29
Rule 13.21: Ties	29
Rule 13.22: Recommended Trick event modes	29
Rule 14: Records	30
Rule 14.1: What records are recognized	30
Rule 14.2: Competitions where records may be set	30
Rule 14.3: Jump records	30
Rule 14.4: Slalom records	30
Rule 14.5: Trick records	30
Rule 14.6: Ties in an event	30
Rule 14.7: Record forms and criteria	30
Rule 14.8: Record administration	30
Rule 15: Homologation Guidelines	31
Rule 15.1: General	31
Rule 15.2: Homologation Levels	31
Rule 15.3: Surveying Equipment	32
Rule 15.4: Jump	32

Rule 15.5: Slalom	32
Rule 16: World Ranking List (Who Beat Who based)	33
Rule 16.1: General	33
Rule 16.2: Events	33
Rule 16.3: Categories	33
Rule 16.4: Schedule and submission process.	33
Rule 17: Cableski Officials	33
Rule 17.1: General rules for International Cableski Officials	33
Rule 17.2: Examinations of International Cableski Officials	33
Rule 17.3: Rules for 1 st Class Cableski Judges	35
Rule 17.4: Rules for 2 nd Class Cableski Judges	35
Rule 17.5: Rules for International Cableski Homologators	35
Rule 17.6: Rules for International Cableski Calculators	35
Rule 17.7: Rules for International Technical Officers	35
Rule 17.8: Voting of the judges	35
Rule 17.9: Placement of judges	35
Rule 17.10: Secondary positions	35
Rule 17.11: Scoring sheet availability	35
Rule 17.12: Tolerances	36
Rule 17.13: Assignment to Cableski World Championships	36
Rule 17.14: Event Judges at the Cableski World Championships	36
Rule 17.15: Rules for National Officials	36
Rule 17.16: Skier fast track option	36
Appendix 1: Trick values	37
Appendix 2: General Diagrams	39
Diagram 2.1: Measuring the height	39
Diagram 2.2: Calculation of AB	39
Diagram 2.3: Handle dimensions in Slalom and Jump	39
Diagram 2.4: Tow lines made with Spectra ropes	40
Appendix 3: Jump diagrams	41
Diagram 3.1a: Ramp Angle	41
Diagram 3.1b: Ramp Angle	41
Diagram 3.2: Jump Course (long > 300m)	42
Diagram 3.3: Jump Course (short > 250m)	42
Diagram 3.4: Jump Course (short > 230m)	42
Diagram 3.5: Jump Course	42
Diagram 3.5: Ramp setting chart	43
Appendix 4: Slalom diagrams	44
Diagram 4.1: Scoring of buoys	44
Diagram 4.2: S6 Slalom Course (long > 300m)	44
Diagram 4.3: S4 Slalom Course (short > 220m)	44
Appendix 5: Actual Records	46
Appendix 6: Two Pylon Cable Installations	48
Diagram 6.1: Tricks :	49
Diagram 6.2: Slalom long	49
Diagram 6.3: Slalom short	49
Diagram 6.4: Jump	50

Confederation E&A Cableski Additional Rules	51
Rule 1: General	51
Rule 1.1: Applicability of these rules	51
Rule 1.2: Amendments to the rules	51
Rule 2: Confederation E&A (European) Cableski Championships	51
Rule 2.1: Confederation E&A Cableski Championships Dates	51
Rule 2.2: Confederation E&A Cableski Championships entry	51
Rule 2.3: Team Selection	51
Rule 2.4: Qualification	51
Rule 2.5: Non-team skiers	51
Rule 2.6: Entry form and documentation	52
Rule 2.7: Officials	52
Rule 2.8: Event Judges	52
Rule 3: Confederation E&A (European) Cableski Juniors Championships	52
Rule 3.1: Confederation E&A Cableski Juniors Championships Dates	52
Rule 3.2: Categories	52
Rule 3.3: Team Selection	52
Rule 3.4: Non Team Skiers	53
Rule 3.5: Qualification	53
Rule 3.6: Officials	53
Rule 4: Confederation E&A (European) Cableski Senior Championships	53
Rule 4.1: Confederation E&A Cableski Senior Championships Dates	53
Rule 4.2: Categories	53
Rule 4.3: Team Selection	53
Rule 4.4: Non-team skiers	53
Rule 4.5: Officials	53
Rule 5: The International Tour of Cableski (ITC)	54
Rule 5.1.1: Organizing Body	54
The goal of the tour is to use the finals for promotion of Cableski in the World. The competitions that are part of the ITC can be Record Homologated, in which case when a record is broken at that competition it can be sent to the Council for ratification. However to be part of the ITC, the small homologation (WBW) level is allowed also.	
Rule 5.1.2: Goal of the competition	54
Rule 5.1.3: Procedure for athletes to enter the ITC	54
If an entry fee per event and skier is requested, the entry fee amount and how to perform the payment and by when, will be communicated clearly in the bulletin of the stop.	
Rule 5.1.4: Ranking at the ITC	54
The ITC results will also count for the Cableski Who Beat Who Ranking List, with the skiers and competition value according to the WBW parameters set by the Cableski Council	
Rule 5.1.5: Officials per stop	54
Rule 5.2.1: Events organized	55
Rule 5.2.2: Rounds per event in each stop	55
Rule 5.2.3: Qualification for the finals	55
Rule 5.2.4: Slalom	55
Rule 5.2.5: Tricks	55
Rule 5.2.6: Jump	56
Rule 5.2.7: Competition Bulletin ITC	56
Rule 5.2.8: Scoring System for the International Tour of Cableski	56
Rule 5.2.9: Commercialization of the tour:	57

Rules 6: Medals	57
Rule 6.1: General	57
Rule 6.2: Restrictions regarding Award of Medals	58
Rule 7: International Calendar Cableski Competitions	58
Rule 7.1: General	58
Rule 7.2: Entry	59
Rule 7.3: Homologation	59
Rule 7.4: Officials	59
Rule 7.5: Requirements to the Organizer	59
Rule 7.6: Results	60
Rule 8: International Non-Calendar Cableski Competitions	60
Rule 8.1: General	60
Rule 8.2: Homologation	60
Rule 8.3: Officials	60
Rule 9: National Cableski Competitions	60
Rule 9.1: General	60
Rule 9.2: Homologation	60
Rule 9.3: Officials	60
Rule 10: Homologation	61
Rule 10.1: Dossiers	61
Rule 11: E&A Ranking Lists	61
Rule 11.1: General	61
Rule 11.2: Events	61
Rule 11.3: Categories	61
Rule 12: Performance Booklets	61
Rule 13: Records	61
Rule 13.1: General	61
Rule 13.2: Categories	61
Rule 14: Rules for Cableski Officials	61
Rule 14.1: Officials Cards	61
Rule 14.2: Participation in Competitions	62
Rule 15: Rules for International Cableski Homologators	62
Rule 15.1: Homologation Dossier	62
Rule 16: Rules for National Officials	62
Rule 16.1: Responsibility	62
Rule 16.2: Rights	62
Rule 16.3: Functions	63
Rule 16.4: Appointment to Panels	63
Rule 16.5: Examinations	63
Rule 16.6: List of National Cableski Officials	63
Rule 17: Officials Seminar for Judges, Calculators, Technical Officers and Homologators	63
Rule 17.1: Responsibility and Purpose	63
Rule 17.2: Attendance	63
Rule 17.3: Date and Venue	63
Rule 17.4: Costs	63

Rule 18: Harry de Laat Memorial Trophy	64
Rule 18.1: Purpose	64
Rule 18.2: Consignee	64
Rule 18.3: Presentation	64
Rule 18.4: Duration	64
Rule 19: Homologator's Checklist	64
Appendix 1 :	66
Appendix 2 :	67
Appendix 3 : Who Beat Who Homologation Dossier	68

These rules supersede all previous editions and shall remain in effect until an amended edition of the rules is published. Updates, revisions and corrections for these rules can be found on the Cableski Council Homepage at <http://www.cableski.org>
Contact: martin.graw [at] web.de

These rules do not contain a list of changes from previous rules. For a list of changes please see at <http://www.cableski.org>

Published 2016.

Cableski Technical Rules

These rules have been drafted in English. In the case of a translation and conflicting interpretation only the English text shall be considered authentic.

Rule 1: General

Rule 1.1: Applicability of these rules

The rules set forth here govern cableski competitions sanctioned by the International Waterski and Wakeboard Federation (IWWF). With the exception of entry requirements and other administrative matters, it is recommended that Confederations and Federations follow these rules as closely as possible.

Whenever the masculine is used, the same shall be construed as meaning the feminine where the context so requires.

Rule 1.2: Exceptions to the rules

Where compliance with the rules is not feasible, the Chief Judge shall, with the approval of a majority of the Appointed Judges, make the necessary changes, inform each skier by posting and send a report to the IWWF Cableski Council. Where the rules are definite and feasible, a vote of the judges to decide whether to enforce any changes is prohibited.

Rule 1.3: Interpretation of the rules

Questions of interpretation of the rules shall be referred to the IWWF Cableski Council when possible. Any interpretation made by the IWWF Cableski Council as a whole shall be considered final. Otherwise the interpretation shall be made by the majority vote of the Appointed Judges, and the Chief Judge shall make a report to the IWWF Cableski Council concerning the question.

Rule 1.4: Amendments to the rules

Amendments must be approved by a two-thirds (2/3) majority of the members of the IWWF Cableski Council. The rules may be amended at any time by the IWWF Cableski Council. The amended rules shall become effective 60 days after they are published.

Until such time as a new edition of the rules is published, the current rules, as amended by the IWWF Cableski Council, remain in effect. A unanimous decision of the members of the IWWF Cableski Council is immediately applicable.

All new tricks submitted must include a video showing the trick. If there are new tricks accepted by the IWWF Tournament Council, they can be accepted by the IWWF Cableski Council.

Rule 1.5: Cableski World Championships Dates

The Cableski World Championships shall be held biennially in even numbered years.

Rule 1.6: Effectivity of the Cableski World Championships

The inability of a country to attend the Cableski World Championships for one reason or another (including political reasons) does not require that the entire competition be cancelled or postponed or that the titles are any less world titles.

Rule 1.7: Drug testing

All competitors must agree to be subject to doping control. Specific policies and procedures regarding doping control shall under the control of the Medical Commission of the IWWF and according to the rules of the WADA.

Rule 1.8: Unsportsmanlike conduct

Any skier or his representative, or official whose conduct is deemed unsportsmanlike or whose conduct may cause discredit to the IWWF, either on or off the competition site, before, during or after the competition, may be disqualified from all or part of the competition including completed events, by

a two-thirds (2/3) majority vote of the Appointed Judges and/or be subject to a fine to be determined by the IWWF Executive Board. The affected individual will be given an opportunity to present his case before a disqualification decision is made. In the case of a finding of unsportsmanlike conduct, a report must be submitted by the Chief Judge to the Chairman of the IWWF Cableski Council. If the IWWF Executive Board assesses a fine, it will be paid by the skier's federation.

Rule 2: Competition entry requirements

Rule 2.1: Cableski World Championships entry and administration

Each Federation that is affiliated to the IWWF shall have the right to select a team of skiers to represent their Federation in the Cableski World Championships.

Each Federation shall certify to the Chairman of the IWWF Cableski Council and to the organizing committee, not later than 60 days before the scheduled start of the familiarization of the Cableski World Championships, its intent to compete. Any Federation not meeting this requirement will not be allowed to compete until they pay a fine of 200 € to the IWWF.

Any Federation shall certify to the Chairman of the IWWF Cableski Council, the Chairman of the Confederation Cableski Council, and the organizing committee, not later than 10 days before the scheduled start of familiarization of the Cableski World Championships, the names of the members of its team, the events each will enter, the ratings of each skier, as well as the names of the official reserves. Any Federation not meeting this requirements will not be allowed to compete until the Federation pays a fine of 10 € per skier per day after the 10-day deadline to the IWWF for each skier not officially entered. If the official entry forms are not received prior to the 24 hours before the start of official familiarization, the Federation shall not be entitled to official familiarization and its skiers shall be placed in the lowest seeded group without reference to their performances.

Rule 2.2: Team selection

Each team shall consist of a maximum of 6 skiers, with the further limitation that no team may have more than 4 men or 4 women.

Each Federation shall furthermore have the right to nominate two reserve skiers to its team, to replace any injured skier, provided the maximum number of 4 men or 4 women is not exceeded.

Rule 2.3: Non-team skiers

Skiers not selected for their national team may qualify to compete in the Cableski World Championships as individuals in their event if they meet one or more of the following criteria:

- a) Reigning World Cableski Champion in that event (Slalom, Tricks or/and Jump) in which they defend their title.
- b) Each Country may nominate up to a maximum of 4 Individuals. Each Individual skier is allowed to compete in 1 single discipline only.
- c) Wild card nominees. The hosting country can select up to two individuals as wild card entries. The approval of the Cableski Council is necessary.

All skiers qualified as individuals must be entered by their federation.

Rule 2.3: Skier eligibility

A Federation may select its team in any manner it desires; however each team member must be a citizen or applying for citizenship of the country the Federation represents. In case of doubt as to the nationality of a competitor, the Judges normally will refer to his passport. If the competitor does not have a passport from the country for which he is skiing, he must prove residence in that country for at least the last 5 years and membership of that Federation. Each Federation shall certify to the Judges that all members of its team meet these qualifications.

Rule 3: Competition events and divisions

Rule 3.1: Events

The events in a competition are Jumping, Slalom and Tricks, with a winner and succeeding places determined in each event. A winner and succeeding places shall also be determined for the Overall as described in Rule 4.1 and in case of a team scoring for the national teams as described in Rule

4.5.

Rule 3.2: Divisions

Competition in each event shall be separated into a Men's and a Women's division.

Division	Age	Max. Slalom Speed	Max. Jump Speed	Ramp Heights
Open	No limitation	Men: 58 Women: 55	Men: 57 Women: 54	Men: 1.50 or 1.65 or 1.80 Women: 1.50 or 1.65
Juniors under 15	Under 15	Men: 58. Women: 55	Men: 51 Women: 48	Men: 1.50 Women: 1.50
Juniors under 19	Under 19	Men: 58 Women: 55	Men: 54 Women: 51	Men: 1.50 or 1.65 Women: 1.50
Seniors 1	35 years or over	Men: 55 Women: 55	Men: 57 Women: 54	Men: 1.50 or 1.65 Women: 1.50
Seniors 2	45 years or over	Men: 55 Women: 55	Men: 54 Women: 51	Men: 1.50 Women: 1.50
Seniors 3	55 years or over	Men: 55 Women: 55	Men: 51 Women: 48	Men: 1.50 Women: 1.50

All ages refer to the age of the skier on the 31st December of the previous year.
For the Cableski World Championships all skiers will be considered as participating in the Open division.

Rule 3.3: Rounds

Each event shall consist of two rounds: a preliminary round and a final round.
A skier must score (more than 0) in the preliminary round to qualify for the final.
The number of skiers qualified to ski in the final of an event shall be determined as shown in the following table:

Number of Skiers (Team and Non-Team) which have participated in the Preliminary round	Number of Skiers (Team and Non-Team) in Finals
1 – 5	All
6 – 10	First 5
11 – 14	First 6
15 – 19	First 8
20 – 24	First 10
25 or more	First 12

If there is a tie for the last place in the finals, there will be a run-off between the tied skiers.

Rule 3.4: Schedule of events

Not later than 2 months before the start of the competition, the Competition Chairman shall send to each affiliated Federation, a schedule showing the days on which official familiarization and the days on which the competition events will be held. The schedule of events for both preliminary and final round shall be drawn up by the Chief Judge, the Chairman on the IWWF Cableski Council and the Competition Chairman and posted prior to the start of official familiarization. This list shall include starting times for each day. A schedule of starting times for individual events, if shown, shall be for guidance of the skiers only and any deviation shall not constitute a change. It is recommended that jumping be scheduled as the last event in both the preliminary and final rounds.

Rule 3.5: Schedule changes

Changes in the schedule during the competition shall be made only for weather, water conditions, safety, or a similar reason. A majority of the Appointed Judges must approve the change and all affected skiers shall be notified by posting. Although schedule changes are to be discouraged, the judges should not hesitate to make adjustments required for safety.

Rule 3.6: Completion

Once the competition has started, the judges do not have the authority to cancel any event, except in the case of a definite safety hazard. In case a final round of an event for any division can not be completed, the results of the preliminary round of that event and that division will be used to determine the placements for that event and division.

Once a series has started, that series shall be completed or fully rerun if it can not be completed.

Rule 3.7: Starting order

The day before the start of a preliminary round the entry list shall be closed and thereafter the order of skiers made by random draw and posted. No change in this order is allowed except that a team representative may:

- Withdraw a skier from competition.
- Replace, with the authority of the Chief Judge and before the start of the first event, that is to say before the first skier taking part in the first event has started, an injured skier by a qualified official reserve from the same team. The substitute skier shall start first in the seed in which he is qualified unless the draw has not yet been completed.¹

The competitors will be drawn in the following manner: List of competitors will be drawn up in order of performance in each event for both men and women. Skiers will then be divided into seeded groups of a size decided by the Chief Judge and each group will then be drawn separately (c.f. however Rule 11.1 for jumping order in the Jump event).

The Event Judges may reverse or change the starting order of these groups according to the prevailing conditions.

The order of the skiers qualified for the final round in any event shall be the reverse of their order of placement in the preliminary round of that event.

The order of skiers tied in placement shall be settled by random draw.

Performances will be taken from the previous year's Cableski Standing List or from the skier's Performance booklet if available.

Rule 3.8: Rating effectivity

Performance booklets shall be certified under the responsibility of the Chairman of the Cableski Council of the Confederation or his designated representative, based on performance in competitions sanctioned by the IWWF, a Confederation or an Affiliated Federation. Performances recorded in cableski competitions, in the current calendar year and the previous calendar year are valid for this purpose. Performance booklets so certified shall be accepted by the Judges without further examination.

Rule 3.9: Familiarization

The skiers will be permitted to familiarize themselves with the installation and jump ramp under the authority and the responsibility of the Chief Judge. Each skier participating in familiarization shall be allotted either a set number of rounds and / or a certain amount of time at the discretion of the Chief Judge based on the principle that every skier shall receive an equal opportunity for familiarization.

The schedule for familiarization shall be decided by the Chief Judge. The Chief Judge shall have the discretion to change the start time of an individual's or team's familiarization based on extraordinary circumstances.

As guidance for Organizers: if practice is to be offered at a cost (unofficial familiarization), then a deadline date should be set by which time all requests must be submitted. After this date practice times should be allocated to ensure all countries have an equal opportunity according to their request.

¹Alterations due to ramp height changes or shared equipment can be accepted until the end of the official familiarization.

Rule 4: Overall and team competition

Rule 4.1: Overall scoring

Each skier shall be awarded in each event a certain number of overall points according to the computation of his better score in either the preliminary or final round.

Rule 4.2: Overall calculation

For Tricks:

Overall points = (Trick score skier*1000) / Best Trick score of division.

For Slalom:

Overall points = ((Slalom score skier + extra buoys)*1000) / (Best Slalom score of division + extra buoys).

The extra buoys are counted from the minimum start speed for each division. For each higher start speed or rope length an additional 6 buoys is added.

The minimum start speeds from where extra buoys are given for the divisions are:

Junior under 15 Girls: 37 km/h

Junior under 15 Boys, Junior under 19 Girls: 40 km/h

Junior under 19 Boys, Open Women, Seniors 1 Women: 43 km/h

Open Men, Seniors 1 Men: 46 km/h

For a skier to receive credit for these extra buoys, he must have successfully completed his first pass.

For Jump:

Overall points = ((Jump score skier – Deduction)*1000) / (Best Jump score of division – Deduction).

Deduction:

Junior under 15 Girls, Junior under 15 Boys: 0.

Junior under 19 Girls, Senior Women: 5.

Open Women, Junior under 19 Boys, Senior Men: 10.

Open Men: 15.

A skier's overall score in Jump shall not be reduced below zero.

Rule 4.3: Qualification for Overall scoring

To be considered for Overall standings, a skier must have scored in all three events, even if the result is 0. To receive points he must have reached the competition area of the event. In case a skier falls before entering the competition area or his refusal to enter the competition area is not accepted by the judges, this will be counted as a start but he will not receive overall points for this event.

Rule 4.4: Overall placement

Places in the Overall Championship shall be determined by adding each skier's Overall points in all three events. If a majority of the Appointed Judges decide that it is physically impossible to complete the final round of one or more events (jumping, slalom or tricks) of any division, only the overall points from the preliminary round of all the events of that division will be used.

Rule 4.5: Team scoring

For calculating a team overall score, the best three Overall scores, men or women, in each event in the preliminary round, shall be added together. The performance by a skier who is entered as an individual shall not be taken into consideration in the calculation of the team score.

Rule 5: Safety of competition and security of technical installations

Rule 5.1: Safety Director

At least 2 months before the competition, the organizing Confederation Cableski Council shall appoint a Safety Director, who will appoint such assistants as appear necessary, and inform the President of the IWWF and the Chairman of the IWWF Cableski Council. The Safety Director shall be responsible for the safe conditions of all equipment, facilities and operation of the competition; but

this shall not prevent him from delegating specific responsibilities to his assistants as approved by the Chief Judge. He shall have the authority to take whatever action is necessary including stopping the competition whenever he observes a condition he believes unsafe. The Chief Judge may overrule any contemplated action or decision of the Safety Director on his own responsibility.

Rule 5.2: Safety competition stoppages

Should the Safety Director stop a competition for any reason, disqualification time periods shall not run as long as the competition is stopped.

The Safety Director should remain near the competition area as much as possible.

Rule 5.3: Equipment safety

The Safety Director shall determine whether equipment to be used by a skier meets safety specifications.

Rule 5.4: Unsafe skier disqualification

No skier shall be allowed to compete or to continue to compete if, in the opinion of the Safety Director and a majority of the Event Judges, his competing would be a danger to himself or other skiers in the competition. During the competition, the Safety Director may, at any time, request the Chief Judge to halt the competition for a poll of the Event Judges in regard to a skier's actions or conditions. Whenever practical, the advice of the medical officer should be obtained.

Rule 5.5: Safety boats

It is recommended to use one safety boat positioned in the inside of the cable during all events and familiarization times, facing the competition area or the skier's anticipated point of landing in jumping. In jumping an additional swimmer is recommended. The motor of the rescue boat shall be running during the competition and the familiarization.

Rule 5.6: Safety boat personnel

The safety boat will be manned by:

- a) An experienced driver who is familiar with the conduct of all competition events and familiarization.
- b) A swimmer, also familiar with all competition events and familiarization and ideally being fully trained in First Aid, Emergency Resuscitation and Water Rescue Techniques (as outlined in the IWWF Safety Manual).

The swimmer will wear a life jacket at all times and, in the event of a serious fall, will jump into the water to assist the skier. If the injured skier is unable to climb into the safety boat with little or not assistance, the skier will be floated to the shore and lifted from the water on a suitable board or stretcher. Under no circumstances will an injured skier be lifted passively over the side of the safety boat.

IT IS EMPHASIED THAT, IN INTERNATIONAL COMPETITION, LANGUAGE DIFFICULTIES MAY INTERFERE WITH COMMUNICATION; AND FOR THIS REASON, THE SWIMMER MUST GET INTO THE WATER TO ASSIST THE INJURED SKIER.

Rule 5.7: On site medical facilities

The Safety Director will appoint a Competition Medical Officer who will undertake to provide the following services:

- a) A suitably qualified medical officer will be in attendance during all familiarization and competition events.
- b) A suitably equipped medical station prepared to deal with any sort of medical emergency will be conveniently located at the competition site.
- c) Suitable transportation facilities that will allow an injured skier to be moved safely and promptly to the best local medical unit for further care.
- d) A working relationship will be established between the local hospital or medical unit and the Competition Medical Officer, such that casualties will get prompt and expert treatment when required.

Rule 5.8: Life jackets

A life jacket must meet the following specifications:

- a) It must be smooth and soft and free from attachments or material likely to cause injury in a fall.
- b) It must be constructed and fastened in such a manner that it is unlikely to be torn loose or damaged so as to render it useless in a hard fall.
- c) It must float the skier.
- d) It must not be an inflatable device.
- e) It must be constructed so as to provide adequate protection from impact damage to the ribs and internal organs. A normal wet suit shall not be considered adequate protection in this respect.

Rule 6: Rerides

Rule 6.1: Reride criteria

When unfair conditions or a malfunction of the equipment supplied by the organisers occurs, which, in the opinion of a majority of the Event Judges adversely affect a skier, he shall be granted the option of a reride only on the passes affected. When the skier receives an unfair advantage, the reride is mandatory. When taken, the reride is scored except in the specific cases in Jumping and Slalom (see Rule 11.10 and Rule 12.11).

Rule 6.2: Granted reride procedure

Rerides must be taken as soon as technically possible after they are granted (c.f. Rule 11.10 for Jump rerides and Rule 12.11 for Slalom rerides). If consecutive rerides are granted, the skier has the option for a 5 minute rest before continuing. If the skier elects to take a 5 minute rest, the next skiers in order shall ski, and the reride shall be taken at the conclusion at the skier's run during which the 5 minute rest period expires.

Rule 6.3: Request for rerides

Request for rerides may be initiated by an Event Judge or the Technical Officer before the next skier starts or may be initiated, as soon as possible, by the skier or his team representative and shall be decided as soon as practicable thereafter. If, in the opinion of the Event Judges, the request was not initiated as soon as possible after the skier skied, the request shall be denied.

Rule 6.4: Warm up passes

In the case of substantial breaks in the Slalom or the Jump event, the jury may grant the skiers which are still participating an optional, non-scoring warm up pass.

Rule 7: Protests

Rule 7.1: Procedure

Protests shall be made to the Chief Judge only by a team representative and shall be considered by the Event Judges. Protests must be in writing, must state the reason(s) for the protest and must be filed as soon as possible, but not later than 30 minutes after the results of the event are announced and the Judges' scoring sheets are available for inspection.

Rule 7.2: Reasons for protests

Protests shall be allowed only for failure of the Organisers or Officials to comply with these rules and only if this non-compliance with the rules has an adverse effect on a skier. No protest shall ever be permitted on a judgement decision by the Judges.

Rule 7.3: Protest submission

Protests must be accompanied by the approximate equivalent in local currency of 50 Euros. This amount will be refunded if the protest is considered reasonable by the Event Judges.

Rule 7.4: Computation errors

A correction of an error in the computation of scores shall not be considered a protest and the

correction shall be made on the approval of the Chief Judge and Chief Calculator if requested within 2 hours after the results of the event are announced and the Judges' scoring sheets are available for inspection.

Rule 8: Installation, skis, tow lines

Rule 8.1: Installation

The installation shall be a 10 mm cable with a minimum of 4 deflection pulleys and a competition area between two deflection pulleys with a minimum distance of 300 m for the Slalom and the Jump competition areas, shall turn counter clockwise and shall have the power necessary to attain and maintain the required speeds.

At least half of the carriers should be prepared for the competition. Should a carrier disconnect twice, the tension should be re-tensioned immediately or another carrier should be tensioned for competition conditions. Either the even or odd carriers should be trimmed.

From the organising committee at least 1 person should be present who knows the installation and is responsible for it. The installation must be in optimal technical condition, in order to guarantee a smooth running of the competition.

The installation must have a speedometer calibrated between 25 km/h and 60 km/h.

Rule 8.2: Skis

The maximum ski width shall not exceed 30 percent of the overall length.

Any type of fixed foot bindings may be used.

Any type of fixed fins may be used.

Devices affixed to the ski intended to control or adjust the skiing characteristics of the ski are allowed as long as they are fixed in that they do not move or change during actual skiing.

No other devices are permitted.

Skis must be safe. There must be no unnecessary sharp or abrasive (to the touch) attachments to the ski which could, in the opinion of the Safety Director, inflict injury to the skier should he come in contact with the ski in a fall.

Rule 8.3: Tow lines

These rules mention two types of lengths of towlines; the effective and the horizontal length. The effective length is calculated, based on the given horizontal length and the measured average height of the cable.

Calculation of the average height of the main running cable „AB“ = (Height of the entry wheel „H1“ + height of the main running cable in the middle „H2“ + height of the exit wheel „H3“) : 3.

When „H2“ is measured with a loading of 70 kg on the cable (see Diagram 2.1).

Diagram 2.2 shows the relations between the horizontal length of a line, the effective length and the height of the cable. The distance AB is the height of the cable. The corner ABC is a 90° angle. Point A is the end of the line that is fastened to the main running cable. Point C is the handle. The distance AC is the effective length of the line. The distance BC is the horizontal length of the line.

When the height AB of the cable and the horizontal length BC is given, the effective length shall be calculated with the help of the next formula:

All line lengths given in this rules are the horizontal lengths.

The organizer shall furnish single-handle tow lines as in (d) below, made of 6 mm, single braided, monofilament line of plastic material, with the handles and line meeting the following specifications:

a) Number of strands = 12.

Number of yarns each strand = 60.

Diameter at 5,5 kg load = 6,3 mm.

Weight per meter = 16,0 g to 23,0 g.

Breaking load, minimum = 590 kg.

Elongation at 115 kg tensile load = 3,2 % maximum.

All measurements of towlines shall be made at 20 kg tension and shall be made between the centre

line of handle at the point furthest from the end of the trimball.

b) The handle shall be made of 2,50 to 2,80 cm outside diameter material with no sharp edges or projections, with a non-slip surface or coating. The attaching ropes must in all cases go through the handle and must be attached so there is no possibility of movement between the rope and the handle when in use. The minimum certified breaking load of the handle shall be 270 kg applied at the rate of 290 kg for a minute at two load points 9 cm apart at the centre of the handle with the ends supported at the rope holes.

c) Tow lines should be prepared as follows: 6 lines of 18,25 m, 5 of 16,00 m and 14,25 m and 2 of the shorter lengths. A tolerance of ± 15 cm on the distance from the end of the trimball to the middle of the handle is allowed for ropes till 14,25 m. From the 13,0 m rope on the tolerance is reduced to $\pm 7,5$ cm.

d) The tow rope shall consist of the following parts:

- the handle with a length of 1,50 m (only for Slalom and Jump)

- the tow rope

- the trimball and cable

e) Dimensions shall be as in Diagram 2.3.

Rule 8.4: Pre-stretching of Tow lines

All ropes should be pre-stretched to insure tightness of the splices before measurement.

Rule 8.5: Tow lines and handles for the Trick event

The towlines in the trick event are 14,50 m with a loop at the end (that is a 16 m line without the handle portion). The skier must furnish his own handle for the trick event of any length, dimension or material.

Rule 8.6: Tow lines and handles in the Slalom and the Jump event.

Skiers in Slalom and Jump are required to use competition supplied tow lines and handles. Organizers shall furnish a minimum of 6 identical handles as described in Rule 8.3.

Rule 8.7: Bibs

It may be required that skiers must wear identifying bibs while skiing. The bibs must be of a design approved by the Chairman of the IWWF Cableski Council for the Cableski World Championships or by the Chief Judge and the Safety Officer for any other competition. The central feature of the bib will be an identifying number on both the front and back of the bib. The individual digits of the number must be a minimum of 15 cm in height and be clearly visible from a distance. The design must allow for use of an arm sling in jumping and also be snug so that it does not interfere with the free movement required in tricks. The bibs will be given to each team captain before the competition for distribution to his team. Spare bibs, with no numbers, should be available at the starting jetty in case a skier's bib is damaged and unusable. Skiers must wear the bib with the number assigned to them only.

In case a skier started without wearing his bib, he will be disqualified for the remainder of this event and shall receive no points for this run. Alternatively the skier can decide to pay a fine of 250€ which goes towards the Cableski Council.

Rule 8.8: Non competition supplied equipment

The use of such equipment is at the skier's own risk, and any failure of such equipment shall not be considered as the basis for any requests for reride.

Rule 8.9: Tow lines for the Jump event

The horizontal length for the towlines in the jump event is 18,25 m.

Rule 8.10: Spectra ropes for Jump events

On an experimental basis the use of Spectra ropes is allowed for Jump events. For the time being these events shall be limited to non-titled competitions or special Jump competitions. If the organiser decides to use Spectra ropes, this shall be announced in the invitation. A minimum of 5 lines shall be prepared and shall be used by all skiers. The complete rope shall consist of a piece made of standard rope with an effective minimum length of 1,25m, which shall work as designated breaking

point, a part made of Spectra rope, and the handle (see Diagram 2.4).

Rule 9: Speeds and tolerances

Rule 9.1: Tolerances

All average speeds in Slalom, Tricks and Jumping shall be accurate to $\pm 0,5$ km/h. For a speed to be considered accurate in any event, the average speeds recorded in the course, as noted by the official, must be within the tolerances allowed. The speed may vary a maximum of $\pm 0,5$ km/h for a distance before entering the competition area and has to be maintained until the skier is out of the competition area, except for Rule 11.5.

Rule 9.2: Accuracy of timing devices

Any timing device used in a competition must be checked for accuracy by the Homologator or the Chief Judge.

Rule 9.3: Timing for Slalom and Jumping

The timing for Slalom shall start when the skier's carrier passes the last deflection pulley before the slalom course and ends when the skier's carrier passes the first deflection pulley after the slalom course.

Timing for Jumping will be taken between the two carriers immediately following the skier's carrier. The timing starts when the first carrier after the skier's carrier passes the deflection pulley before the ramp and ends when the second carrier after the skier's carrier passes that deflection pulley. In case of a fall of the skier, the timing is stopped at the moment of the fall.

Rule 9.4: Position of Timers

There shall be two officials for timing in Slalom and Jumping. The Official Timer shall be located at the most appropriate position. The Backup Timer may be located on one of the judges towers and shall govern in the event that the Official Timer fails to get an accurate time for some reason. The timer shall observe and record all timings, and deviations, on each pass, and shall inform the responsible official about any deviations that exceed the tolerances in Rule 9.1.

Rule 9.5: Timing devices for timing of Slalom and Jump

The timing devices for timing for Slalom and Jump must determine the average speed in the time between the starting and stopping the device measuring. The backup timing device may be a stopwatch.

Rule 10: Definitions

Rule 10.1: Competition area

The competition area is defined between the deflection pulleys before and after the Trick, Slalom and Jump course. The competition layout and dimensions are shown in Diagram 3.1, and Diagram 4.1. No buoys or markers other than those indicated and buoys for video jump measurement systems are permitted within the competition area except to mark safety hazards, landing or starting areas or turning buoys. Any such buoys shall be distinguishable from competition buoys and shall be pointed out to the skiers at the start of the competition.

A skier enters and leaves the competition area when his carrier goes around the pulley which marks the beginning or the end of the competition area.

Any changes in the layout between the practice and the competition (moving of buoys, removal of buoys) shall be notified to the skiers, if possible before the practice.

Rule 10.2: Definition of a fall

A fall in any event is defined as accomplished at the moment any one of the following occurs:

- a) The skier loses possession of the towline.
- b) The skier does not have at least one ski on one foot.
- c) The weight of the skier is not supported by his ski or skis; and in addition, the skier is ultimately unable to regain skiing position. In Slalom and in Jump the skier may not recover by

making a tumble turn. A recovery by making a tumble turn BEFORE the course shall not be considered as a fall.

Rule 10.3: Definition of skiing position

Skiing position is defined as that position in which all of the following exists:

- a) The skier has possession of the towline.
- b) The skier is riding forward or backward with a ski or skis on his feet.
- c) The weight of the skier is entirely supported by his ski or skis on the water, or the skier is ultimately able to regain good balance.

Rule 10.4: Start of the skier

The skier is considered to have started when the marked carrier of the main running-cable connects with the ski line.

Rule 10.5: Disqualification of the skier at the start

Each skier who is not ready to start when the marked carrier connects with the ski line shall be disqualified for the remainder of that round in that event.

In the case where a skier has been disqualified or has been scratched the next skier shall start as soon as technically possible.

If necessary there shall always be a skier ready to ski in case an unforeseen substantial break occurs. This forerunner will then ski one round before the next competitor starts

Using a forerunner should be as little as possible, e.g. an exaggerated use of the forerunner is not encouraged by the Cableski Council. Cases where a forerunner can be used:

- Slalom: Before the first skier and in case of an unforeseen substantial break. In case just one skier is left to ski (all others are already out of the competition) the usage of a forerunner is not encouraged.

- Tricks: Before the first skier.

- Jump: Before the first skier, to check the measurement system.

The need for a forerunner once the event has started will be decided by the Event Judges

The skiers will make every effort to return to the starting jetty without undue delay when they are still skiing in the same event. They shall be disqualified for the remainder of that round in that event if in the opinion of the majority of the event officials they are seeking extra time between passes.

Rule 10.6: Team representative

Each Federation shall select a team representative whose name shall be given to the Chief Judge before familiarization starts. The team representative shall represent all skiers from his federation. An alternative team representative may also be named.

Rule 10.7: Time of posting

The time of posting is when the signed results are posted.

Rule 10.8: Usage of a run off

The result performed in a run off will only be used for determination of final placement for the event. This means that this result will not be used for overall score, ranking list performances and performance booklets entries. If the competition is RC homologated, the result can be considered to be a world record..

Rule 11: Jumping

Rule 11.1: General Jump Event Conditions

Each skier shall be entitled to three registered jumps or passes or falls in the preliminary round and three registered jumps or passes or falls in the final round.

The jumps must be done singly. The skier is not allowed to take the jumps consecutively, unless there is only one skier on that jump height.

For the allowed ramp heights for each division and age category see Rule 3.2. Skiers of one division and age category jumping at the same ramp height will be drawn together and the skiers jumping on

the lowest ramp height will be jumping first.

It is recommended to group skiers of different divisions and age categories jumping on the same ramp height together.

If a skier chooses to change his ramp height for the final round, he should announce this to the Chief Calculator within two hours after the preliminary round jump results are posted.

Only the length of the jump will be considered no matter what ramp height is chosen by the skier.

A fall shall not eliminate the skier from the following pass provided that fall is a result of a jump.

Rule 11.2: Refusal of the skier

A skier may refuse to enter the jump course on each jump by raising one arm in the air. He shall not be penalized for so doing providing this refusal was for a reason judged acceptable by the Event Judges. The skier must be ready to ski immediately after the decision of the Event Judges. Should the skier not be ready or should the reason be judged not acceptable by the Event Judges, he loses the right for this jump and this jump will not be considered as a registered jump.

A jumper shall receive no further jumps in a round, if on a definite cut to the ramp, the jumper elects to pass between the ramp and the main running cable, whether or not he retains the tow rope.

Rule 11.3: Competition area

The competition area begins at the last deflection pulley before the ramp and finishes at the next deflection pulley after the ramp (see Diagram 3.1).

The ramp must be situated between 180 m and 190 m after the first deflection pulley of the competition area. There shall be a buoy at 140 m and one at 160 m before the ramp. These buoys will act as guide buoys for the skiers, to start their cut.

If the jump course and the slalom course are incorporated into each other, the 140 m and the 160 m buoys shall be in a different colour than the slalom buoys.

Rule 11.4: Description of the Jump Ramp

The jump ramp shall be an inclined plane with an apron on the right-hand side. The ramp shall meet the following specifications:

- a) Width: 3,70 m to 4,30 m at all points. 4,20 m to 4,25 m is recommended.
- b) Length out of water: 6,40 m to 6,80 m at all points.
- c) Length under water: 50 cm minimum.
- d) Ratio of ramp height at take off edge to ramp length out of water: $0,235 \pm 0,003$ (1.50 m) or $0,255 \pm 0,003$ (1.65 m) or $0,271 \pm 0,003$ (1.80 m).
- e) Ratios are to be computed on both sides of the ramp, and the ramp height at the take off edge at the two corners may differ by no more than 2,5 cm (see Diagram 3.3).
- f) The surface must be flat with a maximum deviation of 2,5 cm from plane.
This will be verified by two measurements:
 - Place a taut string from the lower right corner (jump course side) of the surface of the upper left corner of the surface and measure the maximum distance between the ramp surface and the string.
 - Place a taut string from the bottom center of the surface to the top center of the surface and measure the maximum distance between the ramp surface and the string.These distances are to be recorded and must not exceed 2,5 cm as stated above.
- g) An apron shall extend the full length of the ramp on the right-hand side and be at least 30 cm under water when the ramp is set for the 1,80 m height. Ramp aprons shall be of different colour or shade from the ramp surface so as to provide a satisfactory contrast between apron, water and ramp surface. The apron shall have a minimum angle of 40° and a maximum of 50° . The recommended angle is 45° .
- h) 6,40 m and 6,80 m length markings, clearly identified, shall be placed on the ramp surface so that they are readily visible. A line visible from shore shall be painted at the center of and just below the take off edge for meter sighting purposes.
- i) The jumping ramp must be securely anchored in place so that the center take off edge will not vary more than the sighted width of the cross hair on both meters after coming to static rest. „Static rest“ is the position assumed by the ramp in ambient water not affected by skier's wakes or backwash.
- j) All measurements of the ramp shall be made under competition conditions, including the weight of watering equipment and not including the weight of a skier.
- k) It is recommended that all fibreglass jump surfaces are of a red-orange colour. Wax surfaces on

wood will remain their natural colour.

Rule 11.5: Jumping speeds

The speeds for the jumping event shall be at the option of the skier up to following maximum speed of the skiers division and age category as per Rule 3.2.

The maximum jump speed will be lowered only by increments of 3 km/h.

Following jump speeds will be used: 39 km/h, 42 km/h, 45 km/h, 48 km/h, 51 km/h, 54 km/h , 57 km/h.

The skier can elect his startspeed, provided that it is not more than 15 km/h lower than the elected jumpspeed. Immediately after the carrier has passed the last deflection pulley before the ramp, the speed will be brought from the startspeed to the jumpspeed. Decelerations of the cable from jumpspeed to startspeed starts immediately after the skier hits the water after the jump. The rate of deceleration will be the same as the rate of acceleration from startspeed to jumpspeed and should be as fast as possible.

N.B.: The startspeed is the speed the cable has to have before the skier enters the competition area, means before the carrier passes the last deflection pulley before the ramp. The skier can leave the starting jetty with a lower speed.

Rule 11.6: Officials stopping a jump

A jump shall not be registered should the Judges decide that there is a hazard because of dangerous water conditions or other reasons. A judge shall then inform the Technical Official to lower the speed.

Rule 11.7: Scoring of a jump

A jump shall be scored when the skier passes over the ramp, lands and skies until the carrier passes the pulley after the ramp without falling.

The cable can be stopped after the carrier passes the pulley to avoid a dangerous situation for the skier as described in Rule 13.8.

The distance shall be communicated after each scoring jump. If the distance of a skier has not been communicated before he is due to take his next jump, he may request his distance before starting.

Rule 11.8: The result of a skier falling

Every time a skier falls from the time he has started until the carrier goes around the deflection pulley after the ramp, it shall count as a registered jump, for which he receives no score.

Rule 11.9: Officials

There will be three judges for the event.

Rule 11.10: Timing

The Technical Officer shall observe the accuracy of the speeds and speed changes.

When the jump speed is above the maximum allowable a rerun is mandatory. If the speed chosen is below the maximum and the speed is out of tolerance, the skier shall have the option of a reride as long as the maximum speed tolerance was not exceeded, in which case the reride is mandatory. In case of a mandatory reride, the pass leading to the reride will not be scored.

If the jump speed is below the minimum allowable, the skier has an optional reride.

In case of an optional reride, the jump shall not be scored less than the distance obtained in the pass leading to the reride.

If a rerun is given because of an error in speed, it must be taken immediately, or, in the case of a fall, when the skier returns to the start dock.

Rule 11.11: Safety Equipment

All skiers in jumping events must wear approved life jackets and suitable helmets.

Rule 11.12: Jump distance measuring

There are two approved jump measuring systems:

- The Böttcher Video measurement system.
- The Corson Video measurement system.

All systems must be checked and approved by the Homologator after installation.
Also other system can be used if checked and approved by the Homologator.

Rule 11.13: Use of a video jump measurement system

The distance shall be measured to the skier's point of impact in the water closest to the ramp (first point of impact) and then an adjustment offset of 2,1 m shall be added.

For the video system, there shall be two designated officials who shall jointly agree on the impact point. These officials can also be event judges if they have a full and direct view of the jump course. The calculated distance shall not be displayed until the impact point is decided upon.

Videotaping or hard disk recording shall be used as backup.

Rule 11.14: Scoring

Jump distance shall be scored in increments of 10 cm only.

The longest jump of each round will be the only one counted. The skier's result from the final round will determine his placement in the event. If a majority of the Appointed Judges decide that it is physically impossible to complete the final round of the event, placement will be from the results of the preliminary round.

The better result obtained by the skier, in either the preliminary or the final round, shall count towards the individual overall.

To be considered for placement the skier must have started in this event.

Rule 11.15: Ties

If a tie exists for first place, it shall be run off. If a tie exists for second or third place, placement shall be decided on the basis of the higher preliminary round score. If a tie still exists, it shall be run off. The run off shall have a new drawing of order. Each tying skier shall be allowed two jumps with the longer jump being scored according to Rule 11.14. Repeated ties shall be run off in the same manner until broken.

Rule 12: Slalom

Rule 12.1: General

The skier shall follow the main running cable around the deflection pulley before the slalom course, pass around the outside of all 6 buoys, and after rounding the 6th buoy, proceed through the end gate, and ski until the carrier has passed the deflection pulley after the slalom course to qualify for the next pass.

At the maximum slalom speed the following tow lengths shall be used:

1 st pass	18,25 m rope
2 nd pass	16,00 m rope
3 rd pass	14,25 m rope
4 th pass	13,00 m rope
5 th pass	12,00 m rope
6 th pass	11,25 m rope
7 th pass	10,75 m rope
8 th pass	10,25 m rope
9 th pass	9,75 m rope
10 th pass	9,50 m rope

In any further passes, the rope shall be shortened by 25 cm. If needed, the first speed may be lowered in 3 km/h increments and then proceed upwards again in the same 3 km/h increments up to the maximum speed for the division and age category. The skier has to do one pass after another without falling until the maximum speed has been achieved. Then the skier will proceed as shown in the table.

Bad weather mode :

In case of bad conditions (wind and wakes) or other practicable reasons the event judges may decide to run the Slalom event at speeds slower than maximum speed also speed by speed. This means that each speed is treated in the same way like different rope length. The competition starts with the lowest chosen speed.

The finals shall start with the rope length or slalom speed that was passed in the preliminary round by all skiers that take part in the finals in that division and age category unless changed by the Event Judges.

The skier or his representative shall announce the rope length or slalom speed at which he elects to start on a published time close before the estimated start of that series or event. A skier who fails to announce the rope length or slalom speed at which he wants to start, shall have to start at the published start rope and speed.

Further the skier has to inform the Technical Officer at which speed he desires to leave the starting jetty.

Acceleration from start speed to slalom speed shall be done directly after the skier has started.

Empty rounds between skiers shall be limited to shorter ropes only and the aim should be to have less than one minute between skiers.

Rule 12.2: Refusal of a skier

A skier may refuse to enter the slalom course by raising one arm in the air. He shall not be penalised for so doing providing this refusal was for a reason judged acceptable by the Event Judges. The skier must be ready to ski immediately after the decision of the Event Judges. Should the skier not be ready or should the reason be judged not acceptable by the Event Judges, he should be disqualified from the remainder of that round in the event.

Rule 12.3: Competition area

The competition area begins at the last deflection pulley before the 1st slalom buoy and finishes at the next deflection pulley (see Diagram 4.1).

Rule 12.4: Buoys

The colour of buoys shall be selected for maximum visibility. For the Slalom and exit gate buoys a fluorescent red or yellow colour is recommended.

Middle line buoys in the slalom course shall be a different colour from the slalom and exit gate buoys. White or yellow is recommended.

Slalom and exit gate buoys shall be 22 to 28 cm in diameter. 23 cm is recommended. Middle line buoys shall be 22 to 30 cm in diameter.

All buoys shall be of a lightweight, pliable material with smooth exposed surface.

Each buoy shall have a strong loop for attaching anchor lines. The buoys must be attached to the anchor line by the use of a system that will tighten the buoy in such a way as to ensure that it does not move around from its position.

Slalom buoys shall be fastened so that they have 11 to 17 cm of height out of the water. 11,5 cm is recommended. The exit gate and middle line buoys shall be fastened so that they have 16 to 22 cm of height out of the water. 17 cm is recommended.

Rule 12.5: A fall in Slalom

A fall before or in the course concludes the performance of the skier, but he shall receive credit for buoys scored before the fall.

Rule 12.6: Scoring buoys

A buoy not missed is scored as follows, up to the point of the first miss:

- a. $\frac{1}{4}$ buoy when the skier crosses the line A-B, in a skiing position (Rule 10.3), before the buoy to be rounded. The skier shall not receive the $\frac{1}{4}$ buoy if he passes inside the buoy.
- b. $\frac{1}{2}$ buoy when the skier has re-crossed line A-B in a skiing position (Rule 10.3), before the level of the next buoy or exit gate.
- c. 1 buoy when the skier has crossed the middle-line under the main-running cable, marked by middle line buoys, before passing the level of the next buoy or the gate without falling (Rule 10.2).

(see Diagram 4.2)

A deflection pulley or the end gate is not scored at all.

Rule 12.7: End of the slalom run

A skier in either a preliminary or final round may continue to run the course as provided in Rule 12.1 until he misses a buoy or the exit gate, at which point his scoring ends for that round.

Rule 12.8: A miss or „riding over“

It is a miss to ride inside the buoy or outside the end gate or to ride over, straddle or jump over a buoy or an exit gate buoy or to jump through the exit gate; but there is no penalty for grazing a buoy with a ski or part of the body.

„Riding over“ shall be defined as hitting a buoy with the ski so as to move it significantly from its position or temporarily sink it. Hitting a buoy less severely shall be considered as „grazing“.

Rule 12.9: Slalom towers

The slalom judging towers shall be braced structures having a platform with railing approximately 2 - 3 m above the water surface. They may either rest on the bottom or be securely anchored in position. The slalom judging towers should be positioned to provide the best possible view over the entire slalom course. It is **not** recommended to use the ramp as a slalom tower.

Rule 12.10: Judging slalom

Please see Rule 15.2 for the applicability of the different slalom judging variations in dependency of the homologation level. Any video used in Slalom shall be recorded so that a review is possible.

a) Use of a centerline video. A video camera shall be located at the end of the slalom course, facing the skier and as much as possible in the central axis of the slalom course (see Diagram 4.1). The camera shall be installed in a height of 3.0 to 3.5 meter above the water level. The camera shall be equipped with optical (not digital) zoom of sufficient power and adjusted to show the skier, the centerline and the buoy to be rounded.

5 or 3 judges shall be located on one tower from where they can view the centerline video. Each judge shall judge the slalom buoys and the end gate independently.

In case these judges are located on a tower from where a view on the slalom course is not possible, it is recommended to place two additional judges in a position from where they can watch the course to inform the Chief Judge, Technical Official and the appointed judges from any irregularity.

b) Use of an end gate video. A video camera shall be located to display the end gate and the 6th buoy at all times. (see Diagram 4.1)

3 judges shall be located on one tower in the middle of the course. Each judge shall judge the slalom buoys and the end gate independently. All three judge must be able to see the live stream from the exit gate video camera without turning away from the course.

c) No video used.

There shall be three judges on the first judging tower and two judges on the second judging tower placed in a suitable position to judge the exit gate. Skier buoys shall be judged by all five judges. The exit gate shall be judged only by the two judges on the exit gate tower unless they are not in agreement, in which case all five judges will vote on the exit gate.

Rule 12.11: Timing

The Timer shall inform the responsible official of wrong speeds to take the necessary action.

Where the applicable speed is slower than allowable on any pass, a rerun shall be mandatory. If the pass was not a perfect pass, the skier may not improve his score over that obtained in the slow pass, unless the speed is so slow that it is equal to or below the fast tolerance of the next slower pass. If the pass was a perfect pass (score is 6, skier to continue), the skier may choose to proceed to the next pass instead of repeating the pass. If the skier then makes a perfect pass, he receives credit for both passes. If the pass is missed, he will receive credit for the buoys made as if it were the lower, skipped pass.

Where the speed is faster than allowable and the skier has not made a perfect pass, he shall have an optional reride. If taken, it shall not be scored less than the score obtained on the pass leading to the reride.

Rule 12.12: Safety equipment

All skiers in Slalom events shall be required to wear an approved life jacket.

Rule 12.13: Scoring

The skier's result from the final round will determine his placement in the event. If a majority of the Appointed Judges decide that it is physically impossible to complete the final round of the event, placement will be from the results of the preliminary round.

The better result obtained by the skier, in either the preliminary or the final round, shall count towards the individual overall. He shall get credit for his score on the speed / rope length he was skiing at, under the provisions of Rule 12.1 provided his first pass is perfect. If his first pass was not perfect he shall get credit for his score as if he was skiing at the official start speed or rope length of his division and age category for that competition. The official results must show the official start speed and rope length of the round of the event and the number of buoys scored by each skier on his last pass showing the speed and rope length.

To be considered for placement the skier must have started in this event.

Rule 12.14: Challenging a score

When slalom video is used and if a skier believes that there was an error in a score, he may challenge it by notifying the Chief Judge before the start of the next skier or as soon as is judged practicable by the Judges, and by putting up 250€. The Chief Judge and event judges will review the video (center line or end gate video). If they agree on a score, that will be the given score. If they disagree or agree that the video does not clearly overrule the score given by the judges, then the original score will stand. The 250€ will only be returned if the original score was changed.

Rule 12.15: Ties

If a tie exists for first place, it shall be run off. If a tie exists for second or third place, placement shall be decided on the basis of the higher preliminary round score. If a tie still exists, it shall be run off. The run off shall have a new drawing of order. The tie breaking run shall begin with the scheduled speed and rope length of the last complete pass and conclude with the first miss. Repeated ties shall be run off in the same manner until broken.

Rule 13: Tricks

Rule 13.1: General

Each skier shall be allowed two passes through the trick course during which time he may perform as many tricks as he desires. The trick skier is not allowed to take the two passes consecutively.

Rule 13.2: Refusal of a skier

A skier may refuse to enter the trick course by raising one arm in the air. He shall not be penalized for so doing providing this refusal was for a reason judged acceptable by the Event Judges. The skier must be ready to ski immediately after the decision of the Event Judges. Should the skier not be ready or should the reason be judged not acceptable by the Event Judges, he loses the right for that pass and this pass will not be considered as a registered pass.

Rule 13.3: Competition area

The competition area begins at the last deflection pulley before the trick area and finishes at the next deflection pulley. There is no difference between clockwise and counter clockwise cables. There must be a minimum distance between the pulleys of 230m for a 20 second trick run.

Rule 13.4: Speed

The skier shall receive his choice of a constant speed through the course for each pass. The speed in trick skiing, assuming it is held constant from the deflection pulley before entering the course, is the skier's responsibility.

The skier shall inform the Technical Officer what speed he desires on each pass.

Rule 13.5: Start of trick pass timing

After passing the deflection pulley before the trick area the beginning of the trick pass shall begin:

- a) for a surface trick, at the first discernible rotation of the ski from the tracking direction (or position)
- b) for an air trick, at the earliest of the following to occur:
 1. at the first discernible rotation of the ski from the tracking direction (or position)
 2. when the ski under the binding of the leading foot leaves the water surface no longer supporting the weight of the skier

The skier shall announce to the starter and the Technical Official if he plans to start with a trick in

back position. In this case the beginning of the trick pass shall be as described above from the second trick if the first trick starts in front position and if the second trick starts in back position.

Rule 13.6: End of the trick pass

The trick pass shall end:

- a) 20 seconds after the start of the pass.
- b) when the skier falls in the course.
- c) when the carrier reaches the end of the competition area.

Rule 13.7: A fall before the pass

If a skier falls while practising before the pass, he loses the right to that pass.

Rule 13.8: Use of a release or braking the cable

If a skier wishes to use a release he must inform the Technical Officer beforehand. The skier uses the release entirely at his own risk.

The skier may provide an observer to instruct the Technical Officer to stop the cable. The skier is fully responsible for any braking of the cable and no request for reride will be granted upon premature or accidental braking.

Rule 13.9: Officials

Please see Rule 15.2 for the required number of judges scoring tricks in dependency of the homologation level. Each judge shall watch and record the tricks independently. He shall list each trick attempted by the skier and decide with respect to each trick:

- a) if it was performed according to the rules governing that trick.
- b) if it was started after the beginning or completed before the end of the pass (only in case of non-video timing).

Rule 13.10: Communication with the Judges

Skiers in the Trick event or other persons shall not communicate with the Event Judges between passes for the purpose of determining whether a trick or tricks attempted in the pass were scored.

Rule 13.11: Timing the trick pass

Please see Rule 15.2 for the applicability of the different timing variations in dependency of the homologation level.

a) Video timing. A video timing device must enable the timer(s) to move the video recording forward and backward frame by frame in order to determine the beginning of the trick pass as defined in Rule 13.5. The end of the 20 second pass shall be determined by the video timing device. The timer(s) shall then make a determination of the last trick in time. For this it must be possible to move again frame by frame through the video recording in order to recognize the trick.

If there are two timers assigned to the trick timing and they have agreed on the last trick, it shall be official. If they can not agree on the last trick, the Chief Judge shall make the determination of the last trick.

If there is one timer assigned to the trick timing he shall make a determination of the last trick in time. If the Chief Judge agrees with this determination, it shall be official. If the Chief Judge disagrees, then it is the responsibility of the event judges to determine the last trick in time.

b) Non-video timing. There shall be a timer and a backup timer located at a point that will allow them to best determine the start of the trick pass. The timer shall start the timing device at the beginning of the trick pass as defined in Rule 13.5. At the end of 20 seconds the audible device shall sound. Some form of backup device for the audible signal must be provided in the event that the official device fails to operate.

The audible device to signal the end of the pass shall be located in the center of the course, so that it is most audible for the judges.

Where an automatic timing device is available which can select the median of five separate triggering signals, the Event Judges may collectively serve as the official timer.

An audible signal different from the end of pass signal indicating the start of each pass shall be given by the timing device to the judges.

Rule 13.12: Challenging the timing of the trick pass

When video timing is used and if a skier believes that there was an error in the timing, he may challenge it by notifying the Chief Judge or the Chief Calculator when reviewing the trick sheets, and by putting up 250€. The Chief Judge and event judges will review the video. If they agree on an error in timing, the score will be corrected. If they disagree or agree that the video does not clearly overrule the original timing, then the original score will stand. The 250€ will only be returned if the original score was changed.

Rule 13.13: Judging tricks

Please see Rule 15.2 for the applicability of the different trick judging variations in dependency of the homologation level. Any video used in Tricks shall be recorded so that a review is possible.

a) Use of a centerline video. A video camera shall be located at the end of the trick course, facing the skier and as much as possible in the central axis of the trick course. The camera shall be installed in a height of 3.0 to 3.5 meter above the water level. The camera shall be equipped with optical (not digital) zoom of sufficient power and adjusted to show the skier clearly.

5 or 3 judges shall be located on one tower from where they can view the centerline video in real time or have a very good direct view on the trick course. They shall either watch the centerline video or the skier for writing the tricks. The recording of the same centerline video shall be used for immediate video review and judging.

b) Use of a non-centerline video. The tricks shall be filmed by a video camera from a position as close as possible to the position of the Event Judges. 5 or 3 judges shall be located on one tower near the center of the trick course. They shall either watch the non-centerline video or the skier for writing the tricks. The recording of the non-centerline video shall be used for immediate video review and judging.

c) No use of video. 5 judges shall be located on one tower near the center of the trick course. They shall watch the skier for judging. The tricks shall be filmed by a video camera from a position as close as possible to the position of the Event Judges. This video shall be used if required as described below (not for immediate video review).

Rule 13.14: Use of the video camera

The immediate video review shall consist of an immediate replay of the pass at normal speed to allow the Event Judges to check what they have written. Then the sheets are handed in. The video review should not lead to a delay of the start of the next skier.

The video film may only be shown additionally as an aid to the Event Judges under the following circumstances:

a) At the request of the Chief Judge or the Chief Calculator, if it is not possible for the Calculators to obtain a majority decision as to the trick or tricks performed.

b) At the request of the Chief Judge or the Chief Calculator, if it is not possible for the Calculators to obtain a majority decision as to whether or not credit is to be given for a trick.

c) In circumstances which the Chief Judge regards as exceptional. This request should not be granted if the intention is to change a Judge's decision under Rule 13.9.

d) At the request of the Chief Judge, or a Judge or a Calculator (and approved by the Chief Judge) the video may be reviewed to establish credit or no credit of a trick or tricks provided it is stated which trick(s) they wish to review. It is not the intention to review the entire run.

The video will only be shown at normal speed.

The audio of the video camera recorder shall pick up the sound of the audible signal, which indicates the end of the 20 seconds.

Rule 13.15: Credit for tricks

The skier shall receive credit for up to the 14 highest scored tricks in each pass.

To receive credit for any trick the skier must remain in or return to skiing position.

Only tricks listed in the rules will be scored in a competition.

If a skier falls on his first pass, he may choose to repeat it as his second pass. He may also continue from where he fell and progress into the second pass.

Rule 13.16: Tricks at the end of the pass

A trick not completed before the end of a pass shall not be scored.

A trick completed before the end of a pass shall not be scored if the skier ultimately falls as a result of

that trick, even if the fall is after the conclusion of the pass.

In the case of video timing a completed trick shall be judge to have been in time if the part of the ski under the binding is on the water in the last frame picture.

Rule 13.17: Trick lists

To facilitate trick scoring a list of declared tricks to be attempted by the skier shall be required from each competitor in the trick event before the event starts. The Chief Judge and the Chief Calculator shall determine the exact time when the list must be submitted for the preliminary and the final rounds. The trick list shall be prepared using the official codes shown in the table of trick values. Reverse turns must be indicated by an R preceding the official code. In each declared trick pass, the skier may list only one trick and its associated reverse, if any, on two skis and one trick and its associated reverse, if any, on one ski under each number in the table, except that any type of 180⁰ turn may be listed more than once. If a trick (non-180) is listed more than once in the same pass then it is treated like it is not there, neither it nor any reverse that follows it may score. Only the first instance of the trick will be considered by the Calculators. There is no penalty for not following the trick list.

A contestant who fails to submit a trick list shall be disqualified from that trick round. A skier may submit a different trick list for the event finals if he so desires. The declared list shall be made available to the officials at the discretion of the Chief Judge.

Rule 13.18: Calculation of the trick result

The Calculators shall receive the tabulations and, in the event of a discrepancy, shall decide the tricks to be scored on the basis of a simple majority from among the Judges' individual tabulations as to:

- a) what trick was performed;
- b) if it was performed according to the rules governing that trick; and
- c) if it was started after the beginning or completed before the end of a pass.

If there is more than one sequence that can be scored, the sequence that gives the maximum points shall be used.

Each trick shall be credited to the competitor with the points as given in Appendix 1a and Appendix 1b.

Rule 13.19: Trick descriptions

a) Except in the case of attempted side slide turns, a trick is any activity that occurs between two hesitations. In the case of an attempted side slide, the hesitation in the 90⁰ position is to be ignored in applying this rule. Credit may be received for performance of only one trick and the associated reverse, if any, on one ski under each number in the table. If this rule is violated, only the higher scoring of the repeated tricks shall be scored. Tricks are only credited if at the end of the trick the weight of the skier is fully supported by his ski or skis on the water.

b) An air turn not completely done in the air scores zero. No part of the ski shall touch the water between the point of the initial lift out of the water and the landing. Equally a water turn not completely done on the water scores zero. No distinction is to be made for surface and air for a B, F, TB, TF.

c) A reverse trick must immediately follow the basic turn in the same pass; however, any type of 180⁰ turn is allowed between two such turns. The reverse shall not be disallowed simply because it follows an attempted trick which has not been credited or because the basic trick is a repeated trick. In order to score the basic and reverse of any trick they must both be performed in the same pass. In order to receive higher points for the reverse trick, the basic trick must be scored according to Rule 13.16. In case the basic trick is not scored, the reverse trick, if scored according to Rule 13.16, shall only receive points as if it would be the basic trick.

d) Stepover line tricks are complete only when the free foot touches ski or water or the lifted ski touches water after the turn before the next trick or the end of the pass. The skier may not lay his leg or lifted ski across or on top of the line, the handle, or either arm until he begins to execute the trick. The stepover and turn actions must be simultaneous. Immediately on completion of a FB stepover turn, the skier must have at least one arm between his legs holding the handle. A jump stepover 360⁰ consists of a 180⁰ stepover and a 180⁰ jump combined, in either order, all done in the air, in a continuous turn. A jump stepover 540⁰ consists of a 180⁰ jump stepover and a 360⁰ jump combined, in either order, or a 180⁰ jump stepover preceding and followed by a 180⁰ jump combined, all done in the air in a continuous turn. A stepover turn not performed according to the rules for a stepover but

according to the rules for a 180⁰ or 360⁰ surface or jump turn shall be scored zero. Toehold stepover tricks must be a simultaneous action. The towing foot may not touch the water during execution of the toehold stepover except that at the end of the trick after the stepover and turn are complete either the towing foot or the ski may touch down first.

e) All side slides include a 90⁰ turn from skiing position, a hesitation in the 90⁰ position and a return to the skiing position in the original direction.

f) In ski line tricks, both feet must be on the ski and pass over the line while in mid-air. The feet may pass over the line at any point during the execution of the trick. The line must be out of the water during the execution of the trick.

g) To receive credit for a flip, it is required that both feet must be higher than the head and in approximately the same vertical plane at some point during the execution of the trick. A Front Flip shall be defined as a forward somersault done in the air in which the tail of the ski passes up and over the head as the head goes down and forward and the rotation must be in the direction of travel. Both feet must be above the head and in approximately the same vertical plane at some point during the execution of the trick. For flips with body rotation the body rotation must be done simultaneously with the flip, not before or after. A Flip Front-Back is not considered a 180⁰ turn either for purposes of declared tricks as referenced in Rule 13.17 or for reverse turns as described in Rule 13.19c. The reverse Back Flip is defined as a Back Flip leading with the opposite shoulder and travelling in the opposite direction (right to left vs. left to right) from the original Back Flip. Additionally, for the WFLIPBFB, the reverse must land in the opposite wrap or turn in the opposite direction. WFLIPB5F and WFLIPB5B must be done hand-to-hand. The rope may not be wrapped around the body to assist the turn. This does not prohibit the simple back position wrap where the rope does not go around the body. Only two subsequent flips in the same direction are allowed.

Rule 13.20: Scoring

The skier's result from the final round will determine his placement in the event. If a majority of the Appointed Judges decide that it is physically impossible to complete the final round of the event, placement will be from the results of the preliminary round.

The better result obtained by the skier, in either the preliminary or the final round, shall count towards the individual overall.

To be considered for placement the skier must have started in this event.

Rule 13.21: Ties

If a tie exists for first place, it shall be run off. If a tie exists for second or third place, placement shall be decided on the basis of the higher preliminary round score. If a tie still exists, it shall be run off. The run off shall have a new drawing of order. Each tying competitor shall be allowed one pass until the tie is broken. Repeated ties shall be run off in the same manner until broken.

Rule 13.22: Recommended Trick event modes

Depending on which side of the course the trick event is held, two different ways are recommended.

Case 1: The trick course is on the opposite side of the start. One skier shall always be on the water. All skiers use the same carrier, eventually it is even possible that the next skier starts with the carrier previous to the one the skier actually on the water is using.

Case 2: The trick course is on the starting side. For low level competitions it might be possible that the skier starts immediately his trick run after leaving the dock and passing the 40 m buoy. For any other competitions a „diagonal“ mode should be used: The first skier leaves the dock. When he passes the pylon opposite to the start (which is then the second (in case of a 4 corner cable) or third (in case of a 5 corner cable) pylon the next skier starts. When the first skier passes the start again he will come to the trick buoys and start his trick run (see Rule 13.5). After completing his trick run without fall the skier has to let go his rope before reaching the next wheel. Then the next skier can start his trick run (as per Rule 13.5). Also this skier has to let go his rope before reaching the next wheel in case of a successful trick run without fall. A skier not letting off the rope after his run shall be disqualified.²

²Please note that the case 2 is not possible as described here when immediate video review is used.

Rule 14: Records

Rule 14.1: What records are recognized

The IWWF shall recognize World Records for jump distances, slalom performances and trick points for the Men's and Women's divisions. The Confederations may, in addition, recognize Confederation Records under the same standards provided for World Records. The Confederations may, however, recognize Records for divisions other than those recognized by the IWWF. The Confederation in which a record may be recognized shall be determined by the nationality of the skier rather than the location of the competition.

Rule 14.2: Competitions where records may be set

Records may be set only at competitions homologated by the IWWF, a Confederation, a Federation, or the Cableski Council of the IWWF.

In any one competition, no more than four rounds are eligible for setting records. The eligible rounds must be declared before the start of the competition.

Rule 14.3: Jump records

A jump shall be a new record if it exceeds the current official record. If the distance equals the established record, the skier will become co-holder of the established record.

For jump records only the distance will be considered regardless of the ramp height.

Rule 14.4: Slalom records

A slalom performance shall be a new record if it exceeds the current official record. If the score equals the established record, the skier will become co-holder of the established record.

Rule 14.5: Trick records

A trick performance shall be a new record if it exceeds the current official record. If the result equals the established record, the skier will become co-holder of the established record.

Rule 14.6: Ties in an event

In the event of equal performances in a round of a competition, which equals or exceeds the current official record, the record shall be co-held no matter which skier may be the ultimate winner of the event.

Rule 14.7: Record forms and criteria

Specifications of equipment, courses and measuring devices shall be set by the IWWF Record Application Forms, which must be completed and certified by the Confederation Cableski Council Chairman, by the Chief Judge, by the Homologator and other required officials.

These record forms shall require that for a jump or trick record, the performance must be video taped.

a) Tricks. Video will be taken as per Rule 13.13. This video will be viewed in regular speed by the Event Judges for record verification. Although the record verification cannot change the score recorded in the competition, the score may be changed for the record submission.

b) Jump: The Homologator shall send the video recording and the gif files for control by the IWWF Cableski Council.

All videos will be sent with the record forms to the Chairman of the IWWF Cableski Council. All submitted videos will be VHS Tapes or on DVD.

Rule 14.8: Record administration

a) World Records may only be set at competitions sanctioned by the IWWF, a Confederation, or an affiliated National Federation. In some instances, a Confederation or Federation may specify specific events as record capability. In this instance, only performances from such specified events shall be considered for World Records.

b) At competitions where World Records may be set, the Homologator shall be responsible for supplying the Chief Judge with the technical information required by the IWWF Record Application Form.

c) The Chief Judge shall be responsible for the completion of the required application. The completed form shall be sent by the Homologator within one week of the completion of the competition to:

- The skier's National Federation.
- The Chairman of the Confederation Cableski Council where the record was performed.
- The Chairman of the IWWF Cableski Council.

Under no circumstances will a record application be considered unless the appropriate record application forms are completed and all rules conformed to within the stated time limits of one week (7 days).

d) Upon receipt of the form and the necessary support documentation, the Chairman of the IWWF Cableski Council will either approve or disapprove the application and will advise the members of the IWWF Cableski Council and the IWWF President of his decision.

e) The record will then be official, pending final ratification by the IWWF Cableski Council and the President of the IWWF.

f) The IWWF Cableski Council and the President of the IWWF must advise the Chairman of the IWWF Cableski Council of their ratification or disapproval within 30 days of their receipt of the information.

g) Records shall be ratified if approved by a two-thirds majority of the IWWF Cableski Council. There shall be no proxy voting.

h) Should the Homologator and/or Chief Judge fail in the responsibilities of these duties, sanction shall be determined and levied by the IWWF Executive Board following receipt of a report by the Confederation Cableski Council Chairman.

i) In the unusual instance where a potential World Record performance occurred and it was intentionally not applied for as a World Record, the Homologator, Chief Judge, skier, and Federation may be subject to the IWWF Constitution.

j) Confederational records can never be higher than World Records.

Rule 15: Homologation Guidelines

Rule 15.1: General

It is a requirement for any type of homologation that a competition has a minimum of 8 competitors in each event and the confederational Cableski Council is satisfied it is a genuine competition.

At all types of Homologated Competitions, the Homologator shall post a notice before the start, showing which disciplines and which class of Homologation in each case he is recommending to the confederational Cableski Council. The Homologator has no discretion to recommend a class of Homologation if all the requirements are not completely fulfilled. The confederational Cableski Council, at their discretion, may subsequently award a higher class of Homologation.

Rule 15.2: Homologation Levels

General	World Record (RC)	Normal (NOR)	Who Beat Who (WBW)
Prior Announcement of Homologation Level to Skiers	Yes	Yes	No
Prior Notification of Homologation Level to Confederational Cableski Council	Yes	No	No
Confederation Approved Panel	Yes	No	No
Max.Number of Rounds	4	4	4
Chief Judge	1 st Class	1 st Class	2 nd Class
Homologator	International	National	-
Technical Officer	International	National or Judge	-
Duplication	None	Max. 2 Functions	Max. 2 Functions
Direct drive	Mandatory	Mandatory	-

Jump	World Record (RC)	Normal (NOR)	Who Beat Who (WBW)
Course Check	Survey by theodolite	Survey by theodolite	Visual
Tolerances	Per Rule Book	Per Rule Book	Must be save
Timing	Automatic	Automatic or fixed Speed adjustment	-
Calculator	International	National	National or Judge
Judges	3 x 1 st Class	3 x 3 rd Class minimum	3 x 3 rd Class minimum

Slalom	World Record (RC)	Normal (NOR)	Who Beat Who (WBW)
Course Check	Survey by theodolite	Survey by theodolite	Visual
Tolerances	Per Rule Book	Per Rule Book	Looks like a Slalom Course
Middlebuoys	Required	Optional	-
Buoys	Measured	Visual	Visual
Timing	Automatic	Automatic or fixed Speed adjustment	-
Judging towers	Video slalom judging	One Side	One Side
Calculator	International	National	National or Judge
Judges	3 Judges plus Center line video. Minimum qualifications: 3 x 1 st Class	3 x 3 rd Class minimum	3 x 3 rd Class minimum

Trick	World Record (RC)	Normal (NOR)	Who Beat Who (WBW)
Course Check	Visual	Visual	-
Tolerances	Per Rule Book	Per Rule Book	-
Timing	Video timing	Non-video timing	'Egg Timer'
Qualification of video timing judge	2 nd Class minimum	-	-
Calculator	International	National	National or Judge
Judges	3 x 1 st Class + center line video followed by immediate video review	5 x 3 rd Class minimum without any video or 1 x 1 st Class / 2 x 3 rd Class minimum + video review available	3 x 3 rd Class minimum

Rule 15.3: Surveying Equipment

The surveying instrument must have an accuracy of 20 seconds or better. All slalom and jump courses shall be checked with that instrument.

Rule 15.4: Jump

For the use of a video jump system the required coordinates (camera, jump ramp, buoys) shall be calculated by the survey of the Homologator.

Rule 15.5: Slalom

All skier buoys and end gates must be measured (diameter and height) for record submission.

Rule 16: World Ranking List (Who Beat Who based)

Rule 16.1: General

The World Ranking Lists are prepared from the performances of the published results of World Record Capability homologated or Normal homologated and the WBH homologated competitions.

Rule 16.2: Events

World Ranking Lists will be published for Slalom, Trick, Jump.

Rule 16.3: Categories

There will be only one WBW World Ranking Lists for Men and one World Ranking List for Women.

Rule 16.4: Schedule and submission process.

The WBW Ranking List is a 1 year rolling list which will be updated weekly.

Rule 17: Cableski Officials

Rule 17.1: General rules for International Cableski Officials

The following different types of International Cableski Officials exist:

- 1st Class Cableski Judges
- 2nd Class Cableski Judges
- International Cableski Homologators
- International Cableski Calculators
- International Technical Officers

An International Cableski Official must be quite impartial in the execution of his function and always conscious of the fact that he is responsible to the Cableski Council and not the the Federation concerned.

An International Cableski Official will be expected to perform such functions and tasks allocated to him by the Chief Judge, unless there be valid reason to the contrary, even at a competition he is attending without an assigned function, should the board of Officials so require.

Rule 17.2: Examinations of International Cableski Officials

The nomination of International Cableski Officials and the organisation of examinations are under the sole responsibility of the confederational Cableski Council and its Chairman, who will also appoint the examiners.

Applications for examination for international Cableski officials will be submitted by the Federation concerned, which will send the applications of their candidates to the Chairman of the confederational Cableski Council one month before the proposed examination. Each such application must be submitted on the special application form placed at the disposal of the Federations by the confederational Cableski Council.

Unless the confederational Cableski Council rules otherwise the minimum age for a 1st Class Cableski Judge or an International Cableski Homologator is 21 years and for a International Cableski Calculators is 18 years (during the year of the exam).

A candidate for a 1st Class Cableski Judge's exam must already be a 2nd Class Cableski Judge or a 2nd Class Tournament Judge. He shall also have judged under the control of members of the confederational Cableski Council or its appointed representative, at least 4 times at Normal Homologated competitions, the Dossiers of which have been submitted to the Chairman of the confederational Cableski Council.

Examinations are in two parts, Theoretical and Practical. In order to qualify as an international Cableski official it is necessary to pass both parts and they must be taken during seminar and or competition.

A list of exams dates and venues will be published annually.

Function	Theoretical part	Practical part
-----------------	-------------------------	-----------------------

Function	Theoretical part	Practical part
1 st Class Cableski Judge	Written questions on how to organise and lead a competition and concerning the Cableski Technical Rules. To succeed the candidate is required to obtain 80% of the total number of points available. The use of the rulebook (neutral without any notes in it) is allowed.	Writing trick runs of 20seconds. 10 passes of at least 4000 points and 10 passes of at least 5000 points in each pass without falls. Each such pass with two or more errors will be counted as a failure. Judgments of whether or not a trick is valid or is not valid, even if the Jury disagrees, are not considered errors. Working during competition as an assistant of event judge at a trick timing program and jump measuring system.
2 nd Class Cableski Judge	Written questions concerning the Cableski Technical Rules. To succeed the candidate is required to obtain 80% of the total number of points available. The use of the rulebook is not allowed.	Writing trick runs of 20seconds. 10 passes of at least 2500 points and 10 passes of at least 3500 points in each pass without falls. Each such pass with two or more errors will be counted as a failure. Judgements of whether or not a trick is valid or is not valid, even if the Jury disagrees, are not considered errors. Working during competition as an assistant of event judge at a trick timing program and jump measuring system.
International Cableski Homologators	Written questions concerning the homologation parts in the Cableski Technical Rules. A Homologation Dossier, including record applications will be completed. To succeed the candidate is required to obtain 80% of the total number of points available. The use of the rulebook is not allowed.	Measurement of a slalom course. Set up and check of a officially recognized jump measurement system.
International Cableski Calculators	Written questions concerning the calculation parts in the Cableski Technical Rules, including memorising the commonly used trick values. To succeed the candidate is required to obtain 80% of the total number of points available. The use of the rulebook is not allowed.	Working as an assistant Cableski International Scorer at a homologated Cableski Competition and demonstrating his ability to carry out all Cableski International Scorer functions alone.
International Cableski Technical Officer	Written questions concerning the cable operation in the Cableski Technical Rules. To succeed the candidate is required to obtain 80% of the total number of points available. The use of the rulebook is not allowed.	Work as Assistant Cableski Technical Officer at three Cableski Competitions, one of these outside his country.

Rule 17.3: Rules for 1st Class Cableski Judges

First Class Cableski Judges are authorised to judge all Cableski Competitions, including Confederational and World Cableski Championships.

Rule 17.4: Rules for 2nd Class Cableski Judges

Second Class Cableski Judges are authorised to judge all Cableski Competitions, with the exception of World Cableski Championships.

Rule 17.5: Rules for International Cableski Homologators

International Cableski Homologators are authorised to work at all Cableski Competitions.

The Homologator is in charge of all technical matters concerning the Homologation of a Cableski Competition and shall remain in continuous contact with the Chief Judge who will, however always be the only arbiter of whatever decisions need to be taken.

A Homologator may propose to a Chief Judge that a competition be stopped, but may not take this decision without the agreement of the Chief Judge.

The Homologator has to assure himself of the technical comparability of the competition with other competitions. For that he has to check all the installations ashore and on the water and ensure that all those installations are in due conformity with the Cableski Technical Rules. He shall also ensure that during the competition any changes of the Cableski installation do not cause advantage or disadvantage to any competitor.

When it is necessary the Homologator, having decided that it is unavoidable, shall state that an event in a competition cannot be duly homologated, this must be posted on the notice board, duly signed prior to the competition and the facts sent to the Confederational Cableski Council with the Dossier.

Rule 17.6: Rules for International Cableski Calculators

International Cableski Calculators are authorised to work at all Cableski Competitions.

Rule 17.7: Rules for International Technical Officers

International Technical Officers are authorised to work at all Cableski Competitions.

The Technical Officer shall ensure the utmost fairness, close adherence to the rules and impartiality of the competition as far as the cable operation (speeds, accelerations) is concerned. The Technical Officer is under the authority of and responsible to the Chief Judge. Incorrect speeds or failure to accelerate or decelerate in a proper manner, shall be immediately communicated to the Chief Judge.

International Technical Officers shall not be required while on duty to carry out additional functions as Starter, Timer, etc.

Rule 17.8: Voting of the judges

Every vote of the Appointed Judges or the Event Judges shall be decided by a simple majority of the judges voting. In the event of a tie, the Chief Judge shall cast the tie-breaking vote. If a person has more than one function, he will not have more than one vote.

All issues for the actual event should be settled before the next skier starts.

Rule 17.9: Placement of judges

Where practical, judges shall be separated to ensure completely independent opinions.

Rule 17.10: Secondary positions

Personnel to fill secondary positions shall be selected by the Chief Judge from among other experienced Judges and Officials in attendance. Wherever possible, Officials filling complementary positions (e.g. timer) should be of different nationalities.

Rule 17.11: Scoring sheet availability

The scoring sheets of each Judge shall be made available for a period of 30 minutes for inspection by the Team Captains as soon as the results are posted. Under the Team Captain's responsibility, a skier and his coach may view the skiers scoring sheets.

If the results are not available 30 minutes after the last skier of the day, the official posting will be delayed to one hour prior to the first skier of the next day. The unofficial results should be posted as

soon as they are available.

Rule 17.12: Tolerances

All tolerances are to allow for human error and the intentional use of tolerances by Cableski Officials to improve skier performance will not be tolerated. In any activity involving the performance of an official where a tolerance is involved, it is the official's responsibility to attempt to be as close as possible to the actual specification.

Rule 17.13: Assignment to Cableski World Championships

At least 6 months prior to the start of the Cableski World Championships, the President of the IWWF shall appoint the Chief Judge for the Cableski World Championships from among the Chief Judges proposed by each Confederation Cableski Council.

The President of the IWWF Cableski Council shall appoint for the Cableski World Championships the Homologator, the Chief Calculator and the Assistant, the Chief Technical Officer and the additional Technical Officer, the Appointed Judges and the Assistant of the Chief Judge from among the officials proposed by each Confederation Cableski Council.

The appointment of the Assistant to the Chief Judge must be made with the Chief Judge's approval. The judges chosen for the Cableski World Championships must represent the Confederations as follows: A minimum of 2 judges from each Confederation.

A total of 8 judges shall be selected.

The Chief Judge and his Assistant are not included in the above number.

If a Confederation is unable to propose the specified number of qualified judges, the IWWF Cableski Council can appoint additional judges from other Confederations.

Rule 17.14: Event Judges at the Cableski World Championships

The Event Judges for the Cableski World Championships must be chosen by the Chief Judge from the Appointed Judges, preferably as follows:

For Slalom: at least one judge from any one Confederation.

For Tricks: the best panel appropriate for the level of trick performances.

For Jumping: one judge per Confederation

Rule 17.15: Rules for National Officials

National Officials such as 3rd Class Cableski Judges, National Cableski Scorers, National Cableski Homologators and National Technical Officers are responsible to and under the responsibility of their National Federations.

All National Officials are qualified to work at Normal Homologated competitions.

A National Official may be appointed to the panel of a National or International Non-Calendar Competition by his Federation. In the case where the Confederational Cableski Council is unable to appoint a full panel to an International Cableski Competition, it may appoint a National Official.

Federations are solely responsible for the examination of National Officials. As a recommendation a 3rd Class Cableski Judge should be required in his practical exam to achieve at least:

- 10 passes of 20 seconds of 1000 points in Tricks even with falls. Each pass with two or more errors should be counted as a failure. Judgements of whether or not a trick is valid or is not valid, even if the Jury disagrees, are not considered errors.

Rule 17.16: Skier fast track option

Experienced competition skiers can take the 2nd International Class exam without being a national judge before upon request to the president of the Cableski council President.

Appendix 1: Trick values

Note: for better readability the table is split in 2 parts: Water Turns and Air Turns.

Description	Water Turns					
	Trick	2 Skis		1 Ski		
		Bas.Code	Bas	Rev	Bas	Rev
Side Slide	Group A (Basic Tricks)	S	20	20	40	40
180° FB		B	30	30	60	60
180° BF		F	30	30	60	60
360° FF		O	40	40	90	90
360° BB		BB	40	40	90	90
540° FB		5B	50		110	
540° BF		5F	50		110	
720° FF		7F	60		130	
720° BB		7B	60		130	
Stepover 180° FB		Grp B (Stepover Tricks) Prt 1	LB	70	70	110
Stepover 180° BF	LF		70	70	110	
Stepover 360° FF						
Stepover 360° BB						
Stepover 540° FB						
Stepover 720° FF						
Stepover 540° BF						
Stepover 720° BB						
Toehold Side Slide	Group C (Toehold)	TS			100	180
Toehold 180° FB		TB			200	250
Toehold 180° BF		TF			200	250
Toehold 360° FF		TO			250	350
Toehold 360° BB		TBB			250	300
Toehold 540° FB		T5B			400	430
Toehold 720° FF		T7F			550	
Toehold 540° BF		T5F			500	

Air Turns						
Description		Trick	2 Skis		1 Ski	
		Bas.Code	Bas	Rev	Bas	Rev
360° FF	Group F (Basic Air)	WO	150	150	200	250
360° BB		WBB	150	150	200	250
540° FB		W5B	310	310	400	470
540° BF		W5F	310	310	400	470
720° FF		W7F	800	800	950	950
720° BB		W7B	480	480	700	770
Stepover 180° FB	Group B (Stepover Tricks) Part 2	WLB	130	130	180	
Stepover 180° BF		WLF	130	130	180	
Stepover 360° FF		WLO	220	220	280	280
Stepover 360° BB		WLBB	220	220	300	300
Stepover 540° FB		WL5B	330	330	480	500
Stepover 720° FF		WL7F	700	700	900	950
Stepover 540° BF		WL5F	300	300	500	530
Stepover 720° BB		WL7B	550	550	800	850
Toehold 360° FF		TWO			300	380
Toehold 360° BB		TWBB			330	400
Toehold 540° FB		TW5B			600	660
Toehold 720° FF		TW5F			700	
Toehold 540° BF		TW7F			750	750
Toehold 720° BB		TW7B			780	
Toehold Stepover 180° FB		TWLB			400	
Toehold Stepover 180° BF		TWLF			500	
Toehold Stepover 360° FF		TWLO			580	580
Toehold Stepover 360° BB		TWLBB			560	600
Toehold Stepover 540° FB		TWL5B			800	850
Toehold Stepover 540° BF		TWL5F			900	
Front Flip	Group D (Flips)	WFLIPF			800	
Back Flip		WFLIPB			500	550
Double Back Flip		WDFLIPB			1000	
Back Flip Full Twist FF		WFLIPBFF			800	850
Back Flip Full Twist BB		WFLIPBBB			800	850
Back Flip Half Twist FB		WFLIPBFB			700	750
Back Flip Half Twist BF		WFLIPBBF			650	700
Back Flip Line Back		WFLIPBLB			950	
Flip 5F		WFLIPB5F			1100	1200
Flip 5B		WFLIPB5B			1000	1050
Ski Line 180° FB	Group E (Ski Lines)	SLB			450	480
Ski Line 180° BF		SLF			500	550
Ski Line 360° FF		SLO			550	550
Ski Line 360° BB		SLBB			550	600
Ski Line 540° FB		SL5B			700	730
Ski Line 540° BF		SL5F			730	780
Ski Line 720° BB		SL7B			950	1050
Ski Line 720° FF		SL7F			1000	1100

Appendix 2: General Diagrams

Diagram 2.1: Measuring the height

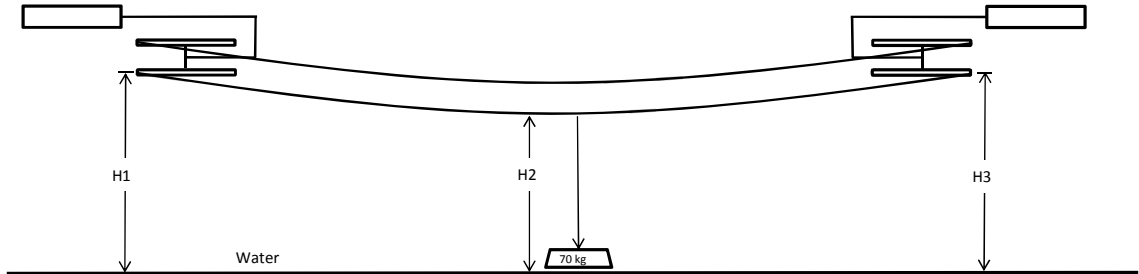


Diagram 2.2: Calculation of AB

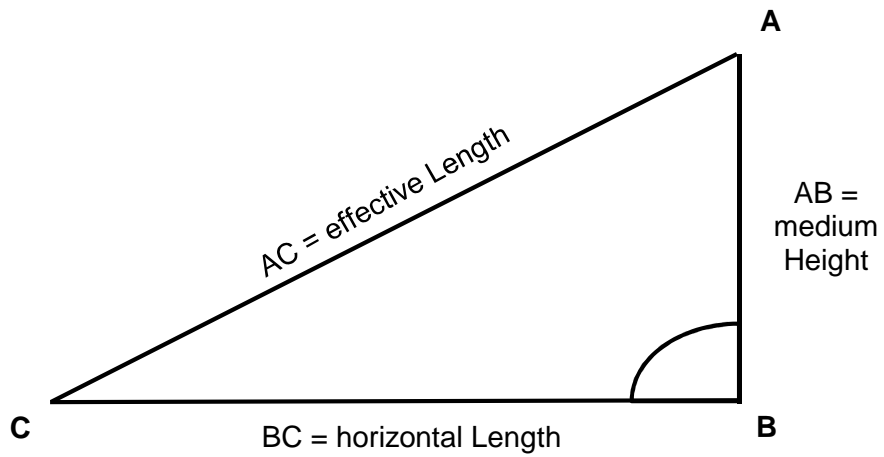


Diagram 2.3: Handle dimensions in Slalom and Jump

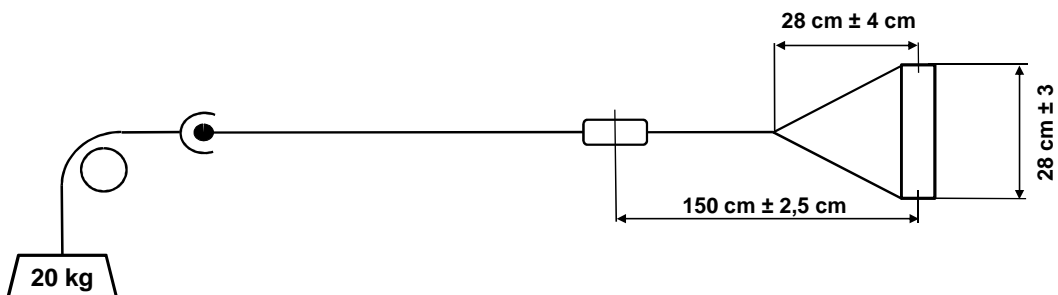
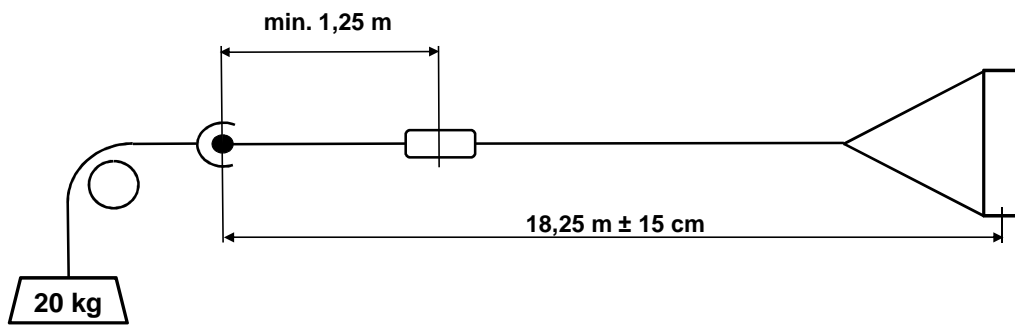
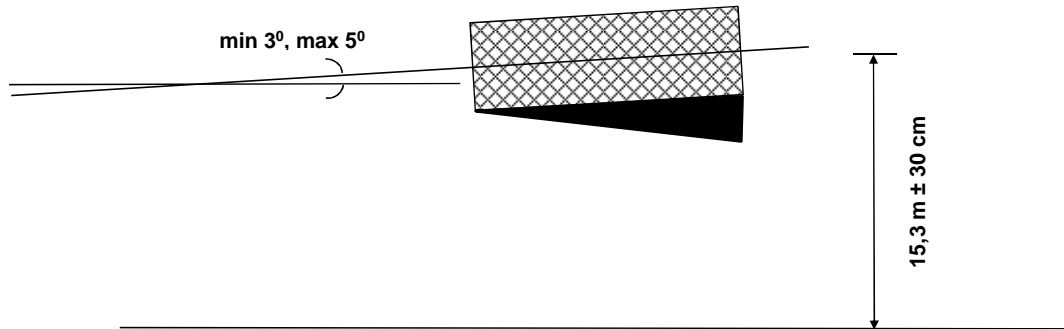


Diagram 2.4: Tow lines made with Spectra ropes



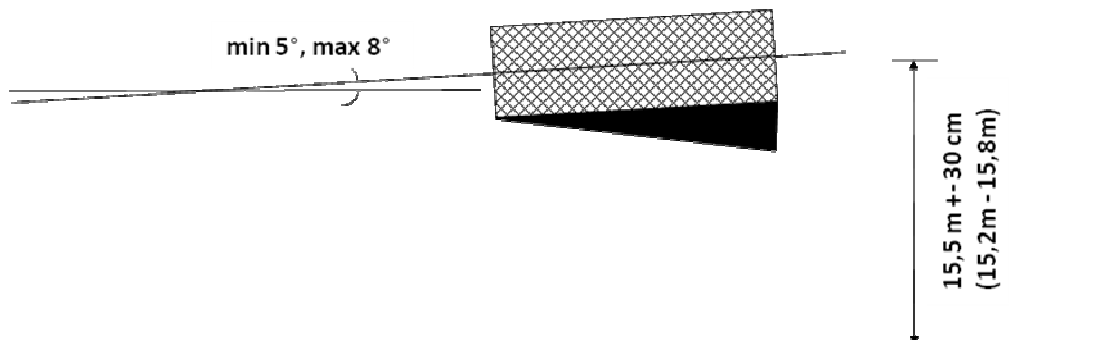
Appendix 3: Jump diagrams

Diagram 3.1a: Ramp Angle



The ramp must be parallel to the main running cable with a tolerance of 3° to 5° open. Open means that the high end of the ramp is turned away from the main running cable. All different Jump Courses are able to be adapted to counter clock wise cables. The jump direction needs to be left side in skiing direction.

Diagram 3.1b: Ramp Angle



The ramp must be parallel to the main running cable with a tolerance of 5° to 8° open. Open means that the high end of the ramp is turned away from the main running cable. The recommended angle for RC homologated competitions is 6° to 7°. All different Jump Courses are able to be adapted to counter clock wise cables. The jump direction needs to be left side in skiing direction.

Diagram 3.2: Jump Course (long > 300m)

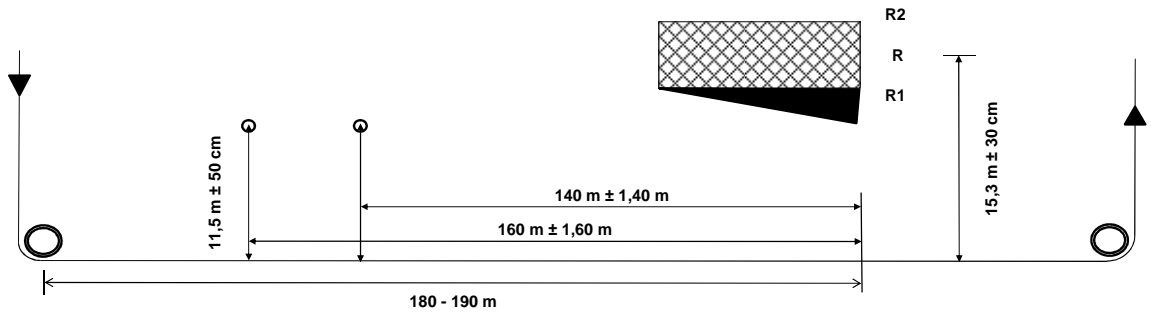


Diagram 3.3: Jump Course (short > 250m)

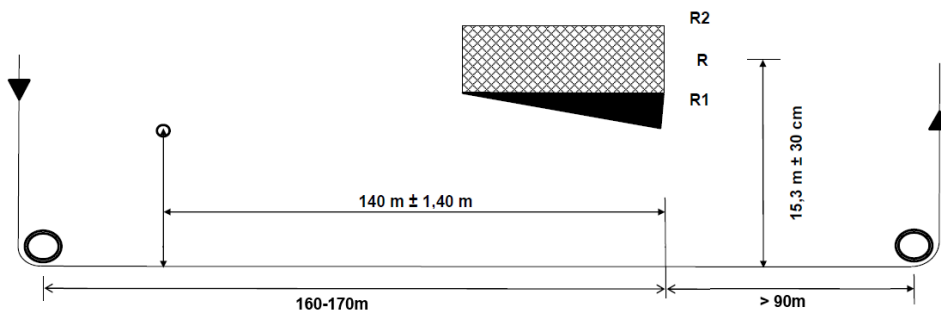


Diagram 3.4: Jump Course (short > 230m)

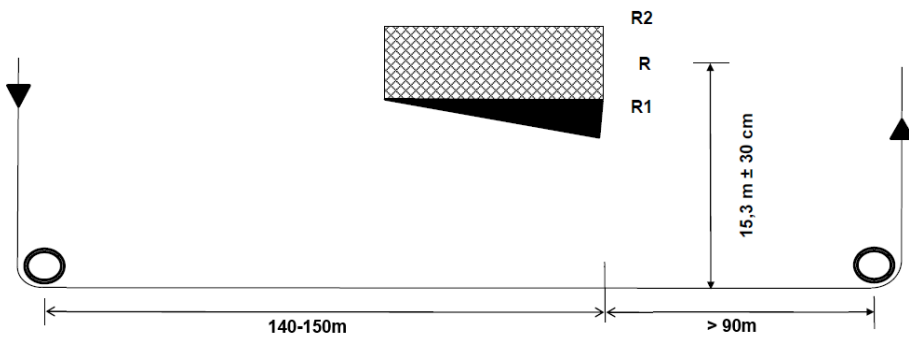
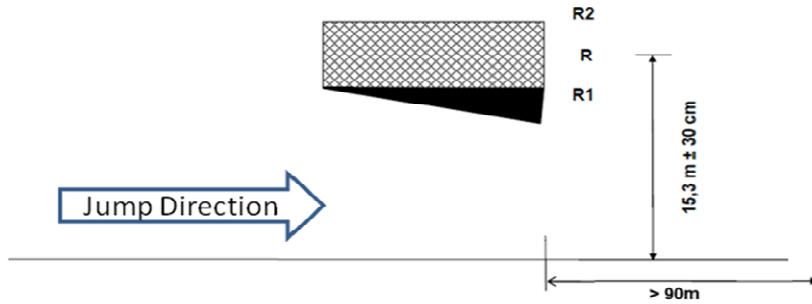
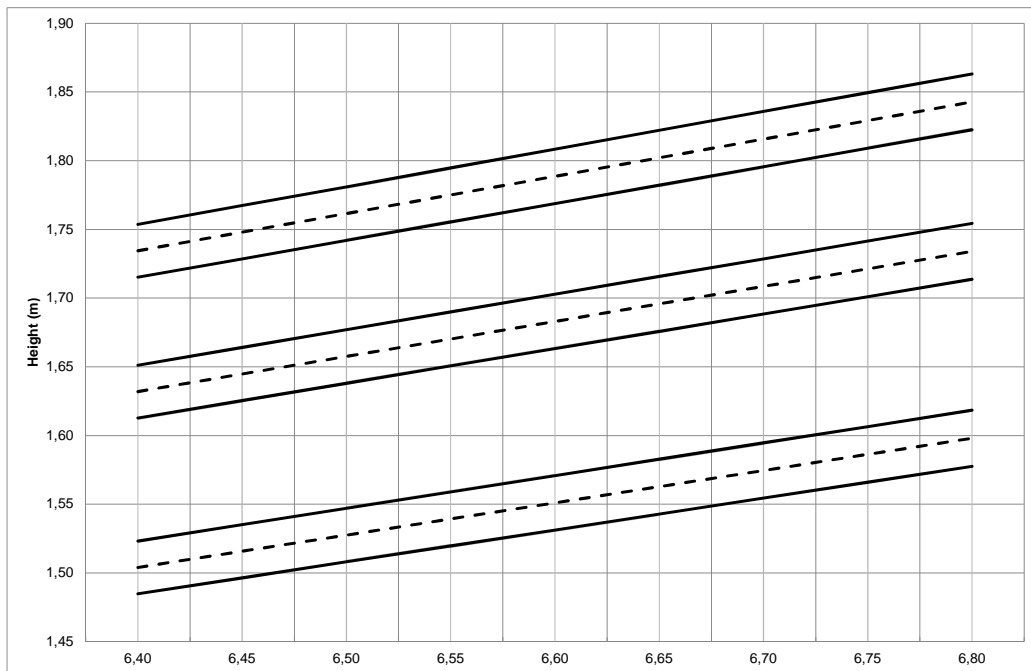


Diagram 3.5: Jump Course



If none of the other examples fit to the lake or installation, refer to this diagram.
 The jump ramp must be placed always left hand to skiing direction.
 Make sure that the jump speed is fixed at a certain point before cutting to the ramp

Diagram 3.5: Ramp setting chart



Instructions: For any particular ramp setting, a combination of HEIGHT at the top edge and LENGTH out of the water enclosed within the solid line is allowable. A combination that lies on the dotted line is the most desirable.

Appendix 4: Slalom diagrams

Diagram 4.1: Scoring of buoys

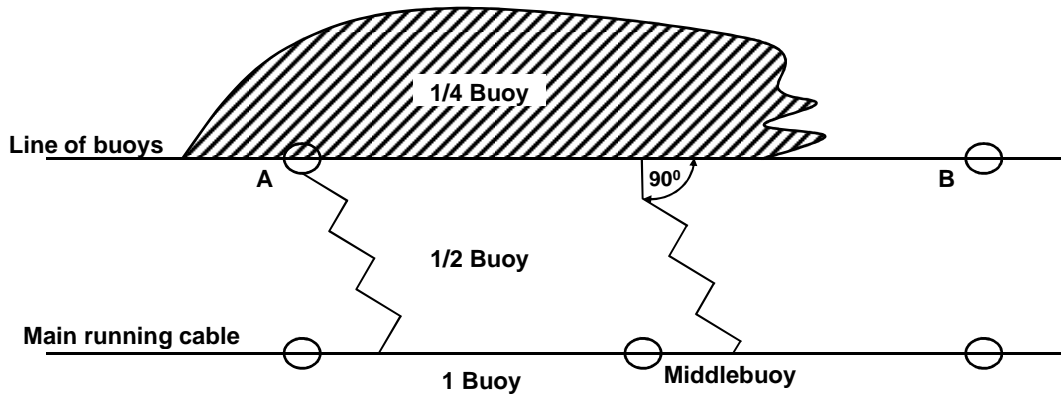
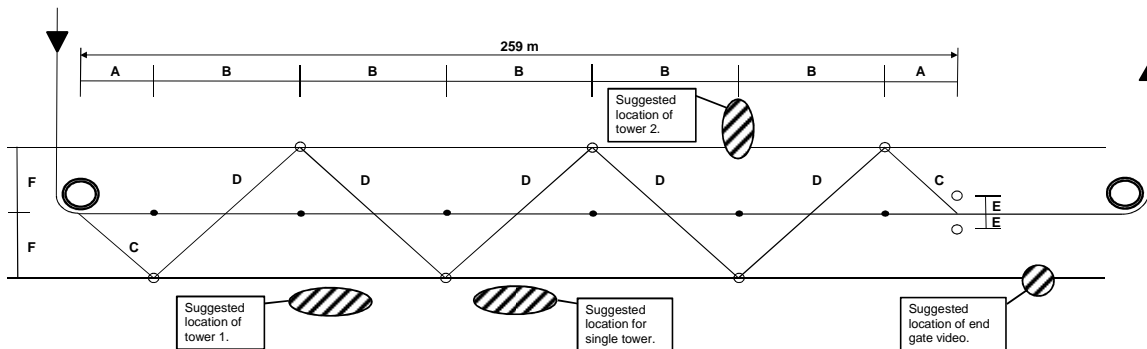


Diagram 4.2: S6 Slalom Course (long > 300m)



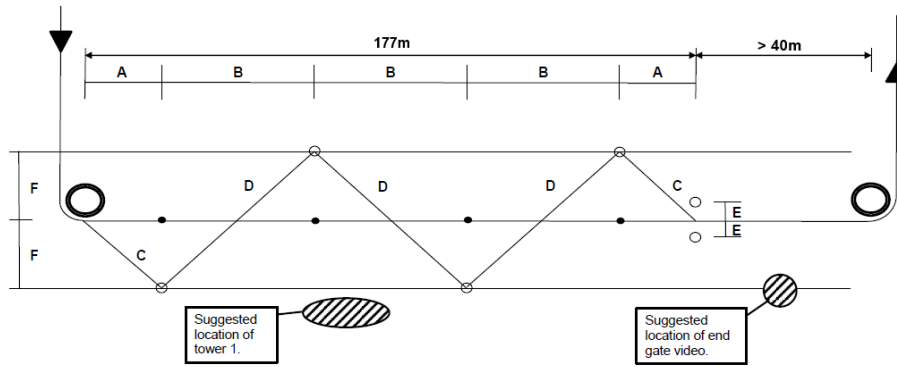
	Regular	Variation	Maximum	Minimum
Overall	259 m	$\pm \frac{1}{4} \%$	258,353 m	259,648 m
A	27 m	$\pm \frac{1}{2} \%$	26,865 m	27,135 m
B	41 m	$\pm \frac{1}{2} \%$	40,795 m	41,205 m
C	29,347 m	$\pm \frac{1}{2} \%$	29,200 m	29,494 m
D	47,011 m	$\pm \frac{1}{2} \%$	46,776 m	47,246 m
E	1,25 m	$\pm 5 \%$	1,188 m	1,313 m
F	11,5 m	$\pm 1 \%$	11,385 m	11,615 m

Axis = main running cable (total distance minimum 300 m

(off line) axis – middle line buoys = 0,00 m \pm 0,30 m

Note: the average of the six measured F dimensions cannot be less than 11,48 m.

Diagram 4.3: S4 Slalom Course (short > 220m)



Axis = main running cable (total distance minimum 220m)
For Tolerances please refer to diagram 4.2 (S6 Slalom Course)

Appendix 5: Actual Records

The Region EAME Cableski Council was established in January 1987 (Cannes / FRA). The first elections for the Cableski Council were in January 1988 (Luxembourg / LUX).

Remarks:

* = Before Region EAME Cableski Councils (= best performance in Region EAME)

W= since the first Cableski World Championships (St.Leon-Rot / GER, 1998) World Records are ratified. Region EAME records which were World best performances became World Records.

Men Slalom

Date	Name/National.	Result	Location	Rem
18.08.85	Michael Mäder / GER	3.50@12.00m/58kph	Langenfeld / GER	*
03.09.89	Michael Mäder / GER	1.00@10.75m/58kph	Kosice / TCH	
15.08.93	Marc-Andre Meier / GER	2.00@10.75m/58kph	Kosice / SVK	
15.08.93	Michael Mäder / GER	2.00@10.75m/58kph	Kosice / SVK	
22.08.93	Alexander Graw / GER	4.50@10.75m/58kph	Best / NED	
18.08.96	Alexander Graw / GER	1.00@10.25m/58kph	Budapest / HUN	
24.08.97	Alexander Graw / GER	2.00@9.75m/58kph	Piestany / SVK	W
09.09.2011	Simon Herrmann / GER	1.00@9.50/58kph	Antalya / TUR	W
31.08.2013	Simon Herrmann / GER	4.00@9.50/58kph	Szczecinek / POL	W

Women Slalom

Date	Name/National.	Result	Location	Rem
18.08.85	Gisela Pohlman / GER	2.50@13.00m/55kph	Langenfeld / GER	*
26.07.87	Sabine Häberle / GER	1.00@12.00m/55kph	Asten / AUT	*
01.07.90	Sabine Häberle / GER	4.00@12.00m/55kph	Kiefersfelden/GER	
24.08.97	Lisa Adams / GBR	3.00@11.25m/55kph	Piestany / SVK	W
23.08.98	Sabine Häberle / GER	3.00@11.25m/55kph	St.Leon-Rot/ GER	W
26.08.99	Lisa Adams / GBR	2.25@10.75m/55kph	London / GBR	W
27.08.2000	Lisa Adams / GBR	3.00@10.75m/55kph	Langenfeld / GER	W
03.09.2000	Lisa Adams / GBR	1.00@10.25m/55kph	Piestany / SVK	W
11.07.2015	Jana Wittenbrock / GER	2.00@10.25m/55kph	Weert / NED	W

Men Tricks

Date	Name/National.	Result	Location	Rem
18.08.85	Axel Müller / GER	5420 pts	Langenfeld / GER	*
21.08.88	Michael Mäder / GER	5910 pts	Poses / FRA	
03.09.89	Oleg Nadin / URS	6830 pts	Kosice / TCH	
15.08.93	Maxim Smirnov / RUS	7710 pts	Kosice / SVK	

Cableski Technical Rules 2016 / Version 1

7Date	Name/National.	Result	Location	Rem
22.08.93	Joury Richter / BLR	7730 pts	Best / NED	
03.09.94	Joury Richter / BLR	8010 pts	Tel Aviv / ISR	
27.08.95	Joury Richter / BLR	8710 pts	Kalletal / GER	W
27.08.2000	Alexei Zernossek / BLR	10020 pts	Langenfeld / GER	W
08.09.2002	Alexei Zernossek / BLR	10400 pts	Alfsee Rieste / GER	W
04.09.2005	Alexei Zernossek / BLR	11300 pts	Lublin / POL	W
07.08.2011	Ilya Labkowic / BLR	11990 pts	Kosice / SVK	W
05.09.2013	Ilya Labkowic / BLR	12090 pts	Szczecinek / POL	W

Women Tricks

Date	Name/National.	Result	Location	Rem
18.08.85	Maria Asam / GER	3680 pts	Langenfeld / GER	*
21.08.88	Temenujka Petrova / BUL	4380 pts	Poses / FRA	
03.09.89	Joulia Gromyko / URS	6480 pts	Kosice / TCH	
15.08.93	Olga Pavlova / BLR	6870 pts	Kosice / SVK	
27.08.95	Joulia Gromyko / BLR	7650 pts	Kalletal / GER	
25.08.96	Joulia Gromyko / BLR	8090 pts	St.Leon-Rot / GER	W
10.07.2005	Joulia Meier-Gromyko / BLR	8620 pts	Aquabest / NED	W
03.09.2005	Irina Tourets / BLR	8790 pts	Lublin / POL	W
04.09.2005	Irina Tourets / BLR	9180 pts	Lublin / POL	W

Men Jump

Date	Name/National.	Result	Location	Rem
18.08.85	Christian Swoboda / AUT	46.70 m	Langenfeld / GER	*
24.08.86	Christian Swoboda / AUT	46.90 m	Tilburg / NED	*
26.07.87	Christian Swoboda / AUT	51.70 m	Asten / AUT	*
21.08.88	Christian Swoboda / AUT	51.70 m	Poses / FRA	
12.06.94	Manfred Hintringer / AUT	52.80 m	Alfsee-Rieste / GER	
24.08.97	Daniel Resl / CZE	53.10 m	Piestany / SVK	
20.09.98	Manfred Hintringer / AUT	55.30 m	Warmbaths / RSA	W
02.07.2000	Manfred Hintringer / AUT	58.70 m	Kiefersfelden / GER	W
15.06.2003	Jochen Luers / GER	59.00 m	Kiefersfelden / GER	W
31.07.2004	Thomas Bauer / GER	60.20 m	Langenfeld / GER	W
26.08.2005	Thomas Bauer / GER	61.40 m	Kiefersfelden / GER	W
27.08.2005	Thomas Bauer / GER	63.70 m	Kiefersfelden / GER	W
26.09.2014	Alexander Vasko / SVK	64.20 m	Schloß Dankern / GER	W

Date	Name/National.	Result	Location	Rem
25.07.2015	Alexander Vasko / SVK	64.70 m	Kiefersfelden / GER	W

Women Jump

Date	Name/National.	Result	Location	Rem
18.08.85	Maria Asam / GER	33.10 m	Langenfeld / GER	*
24.08.86	Maria Asam / GER	34.20 m	Tilburg / NED	*
26.07.87	Britta Grebe / AUT	34.90 m	Asten / AUT	*
21.08.88	Magda Slot / NED	35.00 m	Poses / FRA	
23.08.92	Joulia Gromyko / BLR	35.00 m	Feldkirchen / AUT	
15.08.93	Joulia Gromyko / BLR	35.10 m	Kosice / SVK	
22.08.93	Joulia Gromyko / BLR	36.00 m	Best / NED	
12.06.94	Joulia Gromyko / BLR	36.80 m	Alfsee-Rieste / GER	
03.09.94	Joulia Gromyko / BLR	37.10 m	Tel Aviv / ISR	
13.08.95	Joulia Gromyko / BLR	38.70 m	London / GBR	
20.09.98	Irina Tourets / BLR	39.80 m	Warmbaths / RSA	W
02.07.2000	Joulia Gromyko / BLR	40.20 m	Kiefersfelden / GER	W
04.09.2000	Britta Grebe / AUT	40.60 m	Piestany / SVK	W
28.07.2001	Joulia Gromyko / BLR	43.10 m	Bad Arolsen / GER	W
08.09.2002	Irina Tourets / BLR	44.40 m	Alfsee-Rieste / GER	W
15.06.2003	Joulia Meier-Gromyko / BLR	44.70 m	Kiefersfelden / GER	W
15.06.2003	Claudia Stefan / GER	44.70 m	Kiefersfelden / GER	W
29.08.2004	Joulia Meier-Gromyko / BLR	47.60 m	Bad Arolsen / GER	W
05.08.2012	Iryna Tourets / BLR	48.50 m	Asten / AUT	W
05.10.2014	Joulia Meier-Gromyko / BLR	48.90 m	Shanghai / CHN	W
05.10.2014	Iryna Tourets / BLR	48.90 m	Shanghai / CHN	W
02.08.2015	Iryna Tourets / BLR	49.90 m	Asten / AUT	W

Appendix 6: Two Pylon Cable Installations

For future development of cableski sports 2 Pylon systems will be included in the rule book for all 3 events.

The following drawings are proposals and the exact positions or skiing directions need to adapt to the real installation (e.g. skiing from one or two directions). It is up to organizer to define a suitable running format for each cable.

For Tricks a minimum skiing distance of 240m is recommended. The skier can start directly after

leaving the dock.

For Slalom the final speed must be reached when the carrier is crossing the entry gate.

For Jump the final speed need to be reached 50m before the ramp (carrier). The position of the jump ramp is left side of the skiing direction and a minimum distance of 110m behind the ramp is mandatory.

Diagram 6.1: Tricks :

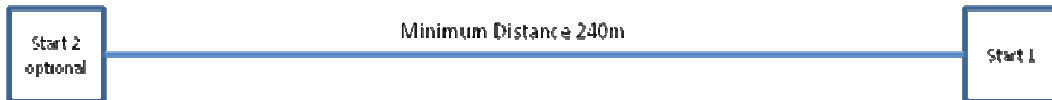
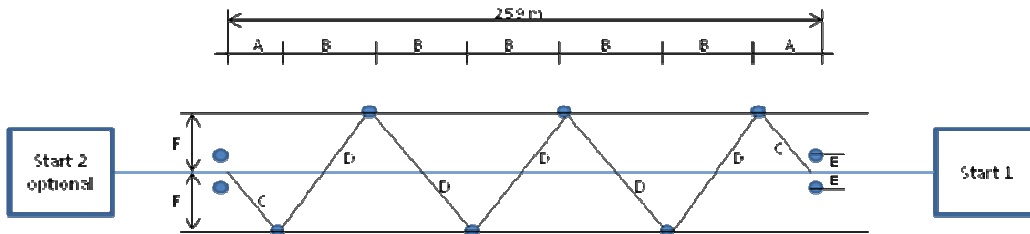
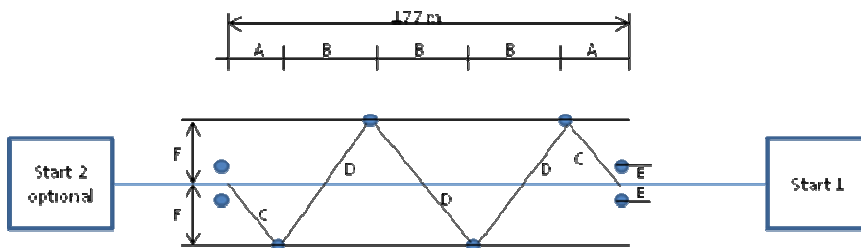


Diagram 6.2: Slalom long



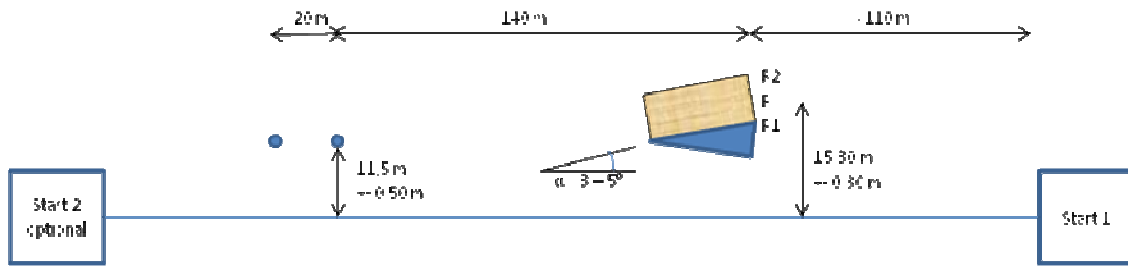
	Regular	Variation	Minimum	Maximum
Overall	259 m	± ¼ %	258,353 m	259,648 m
A	27 m	± ½ %	26,865 m	27,135 m
B	41 m	± ½ %	40,795 m	41,205 m
C	29,347 m	± ½ %	29,200 m	29,494 m
D	47,011 m	± ½ %	46,776 m	47,246 m
E	1,25 m	± 5 %	1,188 m	1,313 m
F	11,5 m	± 1 %	11,385 m	11,615 m

Diagram 6.3: Slalom short



	Regular	Variation	Minimum	Maximum
Overall	177 m	± ¼ %	176,558 m	177,443 m
A	27 m	± ½ %	26,865 m	27,135 m
B	41 m	± ½ %	40,795 m	41,205 m
C	29,347 m	± ½ %	29,200 m	29,494 m
D	47,011 m	± ½ %	46,776 m	47,246 m
E	1,25 m	± 5 %	1,188 m	1,313 m
F	11,5 m	± 1 %	11,385 m	11,615 m

Diagram 6.4: Jump



Confederation E&A Cableski Additional Rules

Rule 1: General

Rule 1.1: Applicability of these rules

The rules set forth here govern cableski competitions sanctioned by the Confederation E&A of the IWWF. The IWWF Cableski Technical Rules shall apply to all cableski competitions except for administrative matters and except where otherwise stated below or elsewhere in the Additional Rules. Where the words „World“ or „IWWF“ appear these are to be read as „Confederation E&A“. Where the words „Confederation“ or „Confederations“ appear these are to be read as „Federation“ or „Federations“. However, the organizers of homologated competitions in Confederation E&A, other than those of titled competitions where specific Additional Rules apply, may make variations from these rules that do not affect the actual conduct of the events of a competition nor affect the actual recorded scores of the competitors. Examples of acceptable variations are those of administrative matters, entry requirements, method of draw, number of events or rounds, numbers in finals, slalom start speeds, method of determining event placements and/or overall placements. The Confederation E&A Cableski Council shall be the arbiter as to whether variations are acceptable as being within the intentions of the rules or not.

Rule 1.2: Amendments to the rules

The Confederation E&A Cableski Council may make amendments to these rules at any time and decide on which date these will become effective.

Rule 2: Confederation E&A (European) Cableski Championships

Rule 2.1: Confederation E&A Cableski Championships Dates

The Confederation E&A Cableski Championships will be held biannually in the odd years

Rule 2.2: Confederation E&A Cableski Championships entry

Each federation in the Confederation E&A shall have the right to select a team of skiers to represent their federation in the Confederation E&A Cableski Championships.

Rule 2.3: Team Selection

Each team shall consist of a maximum of 6 qualified skiers, with the further limitation that no team may have more than 4 men or 4 women.

Each federation shall furthermore have the right to nominate two reserve skiers to its team, to replace any injured skier, provided the maximum number of 4 men or 4 women is not exceeded.

Each federation shall be entitled to a team of two competitors, male or female, whether qualified or not. Such a skier who is qualified in only one event or not qualified in any event may compete in only two events.

The federation organizing the Confederation E&A Cableski Championships shall be entitled to a full team of 6 competitors, whether qualified or not.

Rule 2.4: Qualification

The minimum qualification for a skier is a result (more than Zero) in the 1 year rolling WBW Ranking List in each discipline they want to enter.

Rule 2.5: Non-team skiers

Skiers not selected for their national team may qualify to compete in the Confederation E&A Cableski Championships as individuals if they meet one or more of the following criteria:

- Reigning Confederation E&A Cableski Champion in that event (Slalom, Tricks or/and Jump) in which they defend their title.
- Ranked on one IWWF Confederation E&A Cableski WBW Ranking List of the past year in the top 10% men or women in any event excluding overall. The WBW Ranking List has a one year rolling system and the closing date for the title event will be announced by beginning of the season.

The numbers will be rounded to the nearest full digit.
All skiers qualified as individuals must be entered by their federation

Rule 2.6: Entry form and documentation

As evidence of the qualifications of the skiers, federations are to enter the full details on the Entry Forms, including the date and place of the competition(s) in which the required minima were achieved.

Federations are held responsible for the accuracy of the documents, which shall be sent within the stipulated time with the skiers Entry Forms to both the President of the Confederation E&A Cableski Council and the Organizer.

Skiers shall have their Performance Booklets with them.

The Tournament Performance Booklets may be used for Cableski, provided that the Chief Judge who signs the booklet indicates that the performance has been during a Cableski Competition.

The checking of skiers' eligibility and qualifications will be done under the responsibility of the Chief Judge before the draw takes place.

Rule 2.7: Officials

The Bureau of Confederation E&A shall appoint the following officials after receiving proposals from the Confederation E&A Cableski Council:

- 1 Chief Judge
- 1 Assistant Chief Judge
- 6 Judges
- 1 Homologator
- 1 Chief Calculator
- 1 Assistant Calculator
- 1 Chief Technical Officer
- 1 Technical Officer

Rule 2.8: Event Judges

The Event Judges for each event shall be chosen by the Chief Judge from among the Appointed Judges. As far as possible the Event Judges shall be from different Federations.

Rule 3: Confederation E&A (European) Cableski Juniors Championships

Rule 3.1: Confederation E&A Cableski Juniors Championships Dates

The Confederation E&A Cableski Juniors Championships will be held on a yearly basis.

Rule 3.2: Categories

Skiers belonging to the age categories Juniors under 15 and Juniors under 19 as laid down in the Cableski Technical Rules are eligible for this Championships.

Juniors under 15 may compete as Juniors under 19, on the condition that they produce an authorization signed by their parents.

A skier is not allowed to compete in both Junior categories.

Rule 3.3: Team Selection

Each team for the Confederation E&A Cableski Juniors under 15 Championships shall consist of a maximum of 6 qualified skiers, with the further limitation that no team may have more than 4 boys or 4 girls.

Each federation shall furthermore have the right to nominate two reserve skiers to each of its teams, to replace an injured skier, provided the maximum of 4 boys or 4 girls is not exceeded.

Each federation with no qualified skier for a team in the Confederation E&A Cableski Juniors under 15 Championships shall be entitled to enter one skier in the Confederation E&A Cableski Juniors under 15 Championships. Each federation with no qualified skier for a team in the Confederation E&A Cableski Juniors under 19 Championships shall be entitled to enter one skier in the Confederation E&A Cableski Juniors under 19 Championships. Such a skier may compete in all three events.

The federation organizing the Confederation E&A Cableski Juniors Championships shall be entitled to a full team of 6 skiers for the Confederation E&A Cableski Juniors under 15 Championships and a full team of 6 skiers for the Confederation E&A Cableski Juniors under 19 Championships, whether qualified or not.

Rule 3.4: Non Team Skiers

A maximum number of 2 Skiers not selected for their national team may compete in the Confederation E&A Cableski Junior Championships as individuals in only one discipline each.

Rule 3.5: Qualification

The minimum qualification for a skier is a result (more than Zero) in the 1 year rolling WBW Ranking List in each discipline they want to enter.

Rule 3.6: Officials

The Bureau of Confederation E&A shall appoint the following officials after receiving proposals from the Confederation E&A Cableski Council:

- 1 Chief Judge
- 1 Assistant Chief Judge
- 6 Judges
- 1 Homologator
- 1 Chief Calculator
- 1 Assistant Calculator
- 1 Chief Technical Officer
- 1 Technical Officer

Rule 4: Confederation E&A (European) Cableski Senior Championships

Rule 4.1: Confederation E&A Cableski Senior Championships Dates

The Confederation E&A Cableski Senior Championships will be held on a yearly basis together with the Confederation E&A Cableski Juniors Championships.

Rule 4.2: Categories

Skiers belonging to the age categories Seniors I, Seniors II or Seniors III as laid down in the Cableski Technical Rules are eligible for this Championships.

All skiers participating in the E&A Cableski Senior Championships will be put together in one age category and will ski with the rules of the Senior I age category as laid down in the Cableski Technical Rules.

Rule 4.3: Team Selection

Each team for the Confederation E&A Cableski Seniors Championships shall consist of a maximum of 5 skiers, with the further limitation that no team may have more than 4 men or 4 women.

Each federation shall furthermore have the right to nominate two reserve skiers to its team, to replace an injured skier, provided the maximum of 4 men or 4 women is not exceeded.

Rule 4.4: Non-team skiers

A maximum number of 2 Skiers not selected for their national team may compete in the Confederation E&A Cableski Senior Championships as individuals in only one discipline each. All skiers qualified as individuals must be entered by their federation

Rule 4.5: Officials

The Officials assigned to the Confederation E&A Cableski Youth Championships shall be the Officials for the Confederation E&A Cableski Senior Championships.

Rule 5: The International Tour of Cableski (ITC)

Rule 5.1.1: Organizing Body

The International Tour of Cableski (ITC) is a tour of high level Cableski competitions, sanctioned by the IWWF, organized in co-operation with the IWWF Cableski Council.

The goal of the tour is to use the finals for promotion of Cableski in the World. The competitions that are part of the ITC can be Record Homologated, in which case when a record is broken at that competition it can be sent to the Council for ratification. However to be part of the ITC, the small homologation (WBW) level is allowed also.

Rule 5.1.2: Goal of the competition

The ITC will hold several stops hold in different countries over the World. The aim is to have minimum three to four stops per year. The ITC will emphasize to promote 3-event Cableski. It will be a high level competition, with the finals of each of the stops held in such a way as to maximize the competition to be spectator friendly. One stop can consist of one, two or three events (slalom – tricks – jump). The events that will be organized at the stop will be announced at the bulletin of the specific stop. The minimum information needed in the bulletin can be found in appendix 1.

In order have a competition, fascinating and which hold the public's attention, the organizer may deviate from the current technical rules. The bulletin will explain the details of the competition format chosen for that stop. The bulletin of each stop will be posted on the Cableski website at least one month prior to the competition date. Focus will be on promotion of Cableski with the finals.

Rule 5.1.3: Procedure for athletes to enter the ITC

As the ITC is a tour set up to promote 3-event Cableski, all skiers will ski in one age category, being the 'Open' category. In according to the Olympic spirit, whenever an event is organized, it will be organized for women and for men.

Every country will be allowed to select up to 10 athletes for each of the stops of ITC (women and men together). The names of the selected skiers will be communicated by the national federation, by sending the entry document (see appendix 2), to the organizer of the specific ITC stop (e-mail will be announced in the bulletin of the stop) and a copy to the Cableski Council (e-mail will be announced at the start of each season).

If an entry fee per event and skier is requested, the entry fee amount and how to perform the payment and by when, will be communicated clearly in the bulletin of the stop.

Rule 5.1.4: Ranking at the ITC

Effort will be made to have Stops organized at any region of the World. Entering an ITC Stop on the Calendar is done by an e-mail from the national federation of the country where the stop is organized to the Cableski Council. At each stop of the ITC points in each event organized, will be awarded based on the placement of the skier in that event. Points will be awarded according to the table in appendix 3 below, which will give the ITC Ranking list.

There will be a winner of the ITC in women and men in each of the three events, based on the highest total number of points obtained in a total of three ITC Stops, best of three stops system. In case that there will be only one or two stops in one discipline, each stop will count. Winners of the ITC will be announced at the end of the ITC and will be posted, with pictures on the website. The first 6 skiers of each event (slalom, tricks and jump) in women and men will be automatically qualified for the Cableski World Cup, if a Cableski World Cup is organized in that event. In case a Cableski World Cup is organized, points towards the ITC Rankinglist will also be given at this Cableski World Cup. Points at the Cableski World Cup will count double. In the case a Cableski World Cup is organized there will be a World Cup winner separate from the "International Tour of Cable – ITC winner". If there is a tie in points to determine the winner of the "International Tour of Cable", the skier with the best score at the Worldcup will be the winner of the ITC Tour.

The ITC results will also count for the Cableski Who Beat Who Ranking List, with the skiers and competition value according to the WBW parameters set

by the Cableski Council

Rule 5.1.5: Officials per stop

The officials panels for the ITC will be set up by the IWWF Cableski Council, based on the applications received for officiating for each of the stops.

The officials panel will consist of: 1 Chief Judge, 1 Calculator, 1 Technical Officer and 3 Judges. In case only one event is organized, duplication of positions is possible, though not advised.

Additional to the officials, a professional speaker (during the finals) and an operator experienced in running the cable for a 3-event competition are mandatory.

Rule 5.2.1: Events organized

In the bulletin of each of the ITC stops, the events (slalom – tricks – jump) that will be organized will be announced.

The competition can be held during one or multiple days. The more detailed schedule of the competition will be announced in the bulletin (Appendix 1) of the specific stop.

The ITC does not necessarily require RC homologation, WBW homologation will be the minimum homologation requirement. In case the competition is Normal or Record Capability homologated, the homologator will be added to the officials panel. If the competition is only WBW homologated, the organizer needs to ensure for the jump event, to have a person capable to set up the jump measurement system correctly.

Rule 5.2.2: Rounds per event in each stop

Each of the events will consist of one or two qualification rounds and a final round.

The qualification round(s) will be held during 'not busy time' on the cable, whereas the finals should be scheduled at a time with maximum chance of having a great crowd to watch the competition. Start lists for the qualification rounds will be in reverse order of the ranking in the ITC. Skiers who have no points yet in the tour, will ski first and will start based on the reverse order of their ranking on the WBW.

Finals will be held with not more than maximum 12 men and 8 women per event. The exact number of finalists in each ITC stop will be announced in the bulletin of that stop.

Rule 5.2.3: Qualification for the finals

In case there is only one round to qualify for the finals, qualification will be based on scores of that round. In case there are two qualification rounds, the system to qualify for the finals (e.g. preliminary – semi-final – finals system or a last chance qualifying type system as in the Cableski World Cup) will be specified in the bulletin (Appendix 1).

Start lists for the finals will be based on the reverse order of the results scored in the qualification round(s).

Rule 5.2.4: Slalom

The slalom event can take place on any type of slalom course (minimum 4 buoys, multi pylon cable or 2 pylon cable). The type of slalom course will be announced in the bulletin (Appendix 1).

In the qualification round(s), the number of passes in slalom will be limited to 4 passes. In case of RC homologation for the Slalom event the number of passes is not limited. It is thus up to the skier to select the best starting speed/rope.

If there is a tie for qualifying into the finals, the skiers who started at the shortest rope will qualify. If there is still a tie for qualifying for the finals, there will be a run-off. The run-off will be organized as per standard technical rules for a run-off in slalom.

The number of passes will be unlimited in the finals, but the start speed/rope for the finals will be the last full pass done by all athletes who qualified for these finals.

In order not to lose the public's attention, empty rounds should be dis-encouraged and should only be done if really necessary. There will be maximum an half empty round and the advice is to set up the cable that only a quarter empty round is needed to allow skiers to start at shorter ropes.

Rule 5.2.5: Tricks

The trick event differs most from a standard competition. Rules have been altered in order to put all efforts in to the notification of the results as fast as possible, the aim is to have the results of a skier

announced before the next skier enters the trick course. So it will be easier for the spectator to understand the trick discipline.

There will be no 20 second trick timing → The trick pass will count from pulley to pulley.

There will be one trick pass in the preliminary round and two at the final round. Only 10 tricks will score per pass. The speed of the cable may change during the trick pass upon advice of the team captain or a representative → e.g. start toehold and finish with flips. Each skier will hand in his trick list before the start of the competition. The exact time for submitting the trick list will be announced at the competition.. For each pass the skier will list the 10tricks he will perform. The skier does not have to note the “positions” in the list. The skier has to follow the order of the tricks as he has submitted them on the list. Any extra tricks done between two listed tricks will be considered as ‘positional’ tricks and thus will not score. Note a ‘missed’ W5F which turns out to be a WBB and an F will not score and the W5F will have to be re-done in order to have it scored.

In case of a tie in tricks, after the preliminaries to determine placement for the finals, or in the finals, the skier with the trick with the highest value in one of his runs, will be the winner.

An example of the trick list that needs to be submitted is in appendix 4.

The trick passes will be videotaped in order to allow review by the judges if needed.

Rule 5.2.6: Jump

The qualifying round(s) in jump will be held as per technical rules for Cableski. In order not to lose time for skiers to come back to the start between jumps, men and women jumping on a 1.65m ramp can jump in the same series.

Qualification for the jump final will be based on the best jump distance in the qualification round(s). If there is a tie for qualifying for the finals, there will be a run-off. The run-off will be organized as per standard technical rules for a run-off in jump.

Ramp Height Men :

- a) 1,65 only for Preliminary and Final Round
- b) 1,65 and 1,80 for Preliminary and Final Round

Ramp Height Women :

- a) 1,65 only for Preliminary and Final Round
- b) 1,50 and 1,65 for Preliminary and Final Round

→ The chosen option must be written in the bulletin clearly

Rule 5.2.7: Competition Bulletin ITC

Competition Bulletin – ITC

Information required:

- Name of the competition
- Location
- Date: Time table for qualifying round(s) and finals
- Possible training times
- Events that will be organized (+ homologation level aimed)
- Entry fee per event / per skier – to be paid by / before
- Type of slalom course

Information good to have:

- How to get there – transportation arrangements
- Hotel – lodging arrangements
- Weather information

Rule 5.2.8: Scoring System for the International Tour of Cableski

Placement of the skier	Points awarded
1	100
2	80
3	60
4	50
5	45

6	40
7	36
8	32
9	29
10	26
11	24
12	22
13	20
14	18
15	16
16	15
17	14
18	13
19	12
20	11
21	10
22	9
23	8
24	7
25	6
26	5
27	4
28	3
29	2
30	1

Rule 5.2.9: Commercialization of the tour:

- The ITC committee will merchandise the tour (committee : tbd)
- The plan for the future is to acquire 3-4 sponsors for the whole tour. With these sponsors we want to collect and pay the money for the equipment that we need to get a uniform appearance for the tour (like sponsors/winner wall, flags, poster, etc.) and maybe/ if possible the price money and travel costs of the skier
- Each organiser of a stop has to use, rig up and represent the tour sponsors by using this equipment.
- In addition, the organiser has the possibility to represent his own "stop sponsors" beside but independent of the tour sponsors, too.

Rules 6: Medals

Rule 6.1: General

The following medals will be distributed under the responsibility of the President of the Confederation E&A.

Confederation E&A Cableski Championships	Gold	Silver	Bronze
Men	1 x Slalom 1 x Tricks	1 x Slalom 1 x Tricks	1 x Slalom 1 x Tricks

Confederation E&A Cableski Championships	Gold	Silver	Bronze
	1 x Jump 1 x Overall	1 x Jump 1 x Overall	1 x Jump 1 x Overall
Women	1 x Slalom 1 x Tricks 1 x Jump 1 x Overall	1 x Slalom 1 x Tricks 1 x Jump 1 x Overall	1 x Slalom 1 x Tricks 1 x Jump 1 x Overall
Team	6 x Team + 1 boxed	6 x Team + 1 boxed	6 x Team + 1 boxed
Chief Judge	1		
Assistant Chief Judge	1		
Judges	6		
Homologator	1		
Chief Calculator	1		
Assistant Calculator	1		
Chief Technical Officer	1		
Technical Officer	1		
Organizer	Max. 5		

The same number of medals shall be distributed for the Confederation E&A Cableski Juniors under 15 Championships, the Confederation E&A Cableski Juniors under 19 Championships and the Confederation E&A Seniors Championships, with the exception that for the Senior Teams there shall be a number of 5 Medals (Gold, Silver and Bronze) + 1 boxed and that there is only one jury panel for all three Championships combined.

Rule 6.2: Restrictions regarding Award of Medals

At each of the Confederation E&A Championships the award of medals will be restricted as follows:

1 or 2 competitors in an event	No medals
3 competitors in an event	Gold medal only
4 or 5 competitors in an event	Gold and Silver medals only
6 or more competitors	Gold, Silver and Bronze medals.

Rule 7: International Calendar Cableski Competitions

Rule 7.1: General

An International Calendar Cableski Competition is a competition open to skiers from more than one National Federation and entered on the Confederation E&A Calendar by the organizing Federation by using the International Application Form for Cableski.

The following types of competitions must be entered on the Confederation E&A Calendar:

- Competitions containing in their title the words "Europe", "European" or "Confederation E&A".
- Competitions open to skiers from more than one National Federation and containing in their title the words "Championship(s)", "Criterion", "Masters", "Classic" or other words deemed by the Confederation E&A Cableski Council to imply a high level competition.
- Cash Prize Competitions (for details see Confederation E&A Bye-Laws).

Other types of competitions open to skiers from more than one National Federation may be entered on the Confederation E&A Calendar if so wished by the organizing Federation.

If any rules of the competition vary from the relevant IWWF Cableski Technical Rules or Confederation E&A Cableski Additional Rules details must be given at the time of application for entry on the International Calendar and the Confederation E&A Cableski Council may refuse the

application if it does not approve the variation(s).

The Organizers must comply with the provisions of any relevant Bye-Law or List of Obligations. Should the Organizers wish to vary any of the provisions, the agreement of the Administrative Committee of the Confederation E&A must be obtained at the time of application for entry on the International Calendar.

The Confederation E&A Cableski Council has the right to send an appointed person to inspect the proposed site of any Titled International Calendar Competition. In this case the Organizer shall pay the costs involved.

Rule 7.2: Entry

No skier may enter an International Calendar Cableski Competition without the permission of his National Federation.

Rule 7.3: Homologation

The events at International Calendar Cableski Competitions may be homologated at Normal, Ranking List or World Record Capability level. If it is the intention to seek World Record Capability Homologation this must be notified at the time of application for entry on the International Calendar and the competition will then be marked „RC“ and the Confederation E&A Cableski Council may send an observer at the cost of the organizing Federation.

Rule 7.4: Officials

The Confederation E&A Cableski Council will appoint the Officials (Judges, Homologators, Calculators and Technical Officials). The number and qualifications of Officials of each category of competition will be decided by the Cableski Council in accordance with Rule 15.2 of the IWWF Cableski Technical Rules.

The organizing Federation may inform the Confederation E&A Cableski Council of the names of the Officials they would prefer to be appointed but this is not binding for the Confederation E&A Cableski Council.

Should the organizing Federation specifically invite an individual official and the Confederation E&A Cableski Council agrees to the appointment, the Organizers shall be responsible for the traveling expenses of the Official unless otherwise agreed by the Official.

In the case of Cash Prize competitions the Organizers shall pay the traveling expenses of all Appointed Officials as defined in the Confederation E&A Bye-Laws.

In cases where the Organizers are not liable to pay the travel expenses of the Appointed Officials they shall be liable to pay the excess above APEX fare if they have not sent the Officials the necessary information at least 60 days before the start of familiarization and the Officials have been unable to obtain APEX fares.

The Organizer shall be responsible for the cost of full board and lodging of the Appointed Officials and for their transport in both directions between airport / railway station and hotel, and also between hotel and site. Board and lodging means from the night before an Official's duties begin to and including the night of the last competition day. Any further hospitality offered by the Organizer shall apply to all Appointed Officials.

Rule 7.5: Requirements to the Organizer

The Organizers must provide:

1. A Chief Organizer.
2. A qualified Safety Officer and adequate rescue, first aid and medical services.
3. A Press Officer and adequate facilities for journalists and TV personnel if applicable.
4. Personnel to fill ancillary positions as secretaries, jetty marshals, rescue personnel, video operators, timers, etc. A list of names must be handed to the Chief Judge who is responsible for the selection and allocation of ancillary positions.
5. All courses, installations and equipment required by the IWWF Cableski Technical Rules and needed for the efficient running of the competition, including radios and other communication and timing equipment. These must be ready for checking prior to the arrival of the Homologator.
6. Adequate facilities for ski-storage, catering, jury and other meetings.
7. Adequate transports between accommodation and site.
8. If required an assistant for the Homologator.

This list is not intended as a complete checklist, but as an indication of the minimum requirements for an International Calendar Cableski Competition.

Rule 7.6: Results

At all International Calendar Cableski Competitions the Organizers shall provide copies of signed results for distribution. At titled competitions copies of the results shall be provided as specified in the List of Obligations.

Rule 8: International Non-Calendar Cableski Competitions

Rule 8.1: General

An International Non-Calendar Cableski Competition is a competition open to skiers of more than one National Federation that:

1. Does not have to be entered on the Confederation E&A Calendar by virtue of Rule 7.1 of the International Calendar Cableski Competitions.
2. Has been refused entry on the Confederation E&A Calendar by virtue of non-compliance with any of the other provisions of the rules for International Calendar Cableski Competitions. The organizing Federation is solely responsible for the regulations, entry minima and organization of the competition.

Rule 8.2: Homologation

The events at an International Non-Calendar Cableski Competition may not be homologated at World Record Capability level.

Rule 8.3: Officials

The organizing Federation is entirely responsible for the appointment of officials and for negotiating with them the extent of reimbursement, if any, of their traveling and board and lodging expenses.

Rule 9: National Cableski Competitions

Rule 9.1: General

A National Cableski Competition is a competition open only to skiers who are members of the organizing Federation or and affiliated club of that Federation.

If the Organizers of a competition announced as a National Cableski Competition accept an entry from a skier who is not a member as specified above, the skiers Federation must be shown on the results and the Confederation E&A Cableski Council will re-classify the competition as a Non-Calendar International Cableski Competition and the according rules will apply.

The organizing Federation may specify any further requirements for entry or restrictions on entry that it wishes.

The organizing Federation is responsible for the regulations, entry minima and organization of the competition.

Rule 9.2: Homologation

The events at a National Cableski Competition may be homologated at Normal or World Record Capability level. If it is the intention to seek World Record Capability Homologation this must be notified to the Confederation E&A Cableski Council at least two months before the competition, listing the names of the Jury. The Confederation E&A Cableski Council may then decide to send an observer. The organizing Federation must pay the travel and full board and lodging costs of this observer.

If the competition is reclassified as an International Non-Calendar Cableski Competition, the homologation level is limited to Normal.

Rule 9.3: Officials

The organizing Federation is entirely responsible for the appointment of officials and for negotiating with them the extend of reimbursement, if any, of their traveling and board and lodging expenses.

Rule 10: Homologation

Rule 10.1: Dossiers

The requirements in the E&A Homologation Dossier shall be considered to be Additional Rules and apply to all levels of homologation.

The Homologation Dossier and any Record Dossier must be sent to the Confederation E&A Cableski Council within 2 weeks of the end of the competition. If the Homologation Dossier is received after the 7th November the competition will not be listed as homologated in the current year.

Rule 11: E&A Ranking Lists

Rule 11.1: General

The E&A Ranking Lists are prepared from the performances of E&A skiers of the published results of qualifying events.

From World Record, Normal or WBH Homologated Competitions all performances will be included.

Rule 11.2: Events

E&A Ranking Lists will be published for Slalom, Tricks, Jump

Rule 11.3: Categories

E&A Ranking Lists will be prepared for Men and Women in the following categories:

1. Open
2. Juniors under 15
3. Juniors under 19
4. Seniors

Rule 12: Performance Booklets

Performance Booklets will be replaced by competition database on : www.iwwfed-ea.org

Rule 13: Records

Rule 13.1: General

The Confederation E&A Cableski Council will consider only performances at Record Homologation competitions in Confederation E&A for ratification.

The provisions of the IWWF Cableski Technical Rules: Rule 14 Records shall also apply to Confederation E&A Records.

Rule 13.2: Categories

Records will be recognized for the Men and Women divisions in the categories of Open, Juniors under 15, Juniors under 19 and Seniors.

For the age categories (Juniors and Seniors) only records obtained at the E&A Cableski Championships of these age categories will be considered for ratification.

Rule 14: Rules for Cableski Officials

Rule 14.1: Officials Cards

Officials Cards are issued by the Confederation E&A Cableski Council and are valid for the duration of the season in which they are issued.

During one of the first meetings of the year, the Confederation E&A Cableski Council will renew, on the proposal of the Chairman of the Confederation E&A Cableski Council the cards of the Cableski Official on the condition that the official:

1. has been sufficiently active during the season.
2. has not made too many errors during a competition.
3. has shown ability to make proper interpretation of the rules.

4. has not shown himself to be lacking impartiality.
5. has not refused, without good reason, to accept to do what was required of him by the Chief Judge of the competition at which he was present.

In order to be taken into consideration a negative report c, d, e, and g must be sent within two weeks of the competition to the Chairman of the Confederation E&A Cableski Council. This report should be drawn up by a member of the Confederation E&A Cableski Council or by the Chief Judge of the competition in question. The Confederation E&A Cableski Council will after due deliberation, decide whether the circumstances compel the removal of the Cableski Official from the list of Cableski Officials in the interests of the sport. The Cableski Official shall be advised of the withdrawal of his card in a personal letter from the Confederation E&A Cableski Council.

A Cableski International Homologator who is also a Tournament Homologator, is not required to have homologated a Cableski Competition, but must fulfil the conditions necessary for the renewal of his Tournament Homologation Card.

A 1st Class Cableski Judge will then automatically become a 2nd Class Cableski Judge. He may if he so wishes, present himself for examination for re-qualification as a 1st Class Cableski Judge, after having served satisfactorily at two International Cableski Competitions in his capacity as 2nd Class Cableski Judge.

Rule 14.2: Participation in Competitions

On receipt of the Cableski Calendar, Cableski Officials shall inform the Confederation E&A Cableski Council of the Cableski Competition for which:

1. they are able to participate
2. they wish to participate

On the basis of these replies the Confederation E&A Cableski Council will then appoint Cableski Officials to the Cableski Competitions.

A roster for all international competitions on the calendar will be completed by the Confederation E&A Cableski Council and supplied to all Confederation E&A Cableski Officials and to the Organizing Federations.

A Cableski Official failing to be present or to arrive in time before the start of the competition, without acceptable reason, will be penalized; the first time with a warning, and if he does so again he will not be permitted to function during the next season.

If a Cableski Official wishes to be replaced, for some reason, at a competition for which he was nominated, he must inform, at least 4 weeks before the date of the competition, for which he wishes to be replaced, the Confederation E&A Cableski Council and the Organizers of the competition, so that they are able to provide someone else as a substitute.

Rule 15: Rules for International Cableski Homologators

Rule 15.1: Homologation Dossier

The Homologation Dossier of the competition, together with the Chief Judge's report and all the necessary documents shall be sent within two weeks of the end of the competition to the Confederation E&A Cableski Council.

In case of a delayed mailing of the Homologation Dossier to the Confederation E&A Cableski Council, the Homologator:

- will receive, after the initial delay, a warning
- after any further delay, the Confederation E&A Cableski Council will at once withdraw his Card from the Homologator.

Rule 16: Rules for National Officials

Rule 16.1: Responsibility

National Officials, such as 3rd Class Cableski Judges, National Cableski Calculators, National Cableski Homologators and National Technical Officers, are responsible to and under the responsibility of their National Federation.

Rule 16.2: Rights

When appointed to an International Calendar Competition, a National Official is entitled to such rights and reimbursements of expenses as are specified in the Bye-Laws, Obligations and

Additional Rules.

Rule 16.3: Functions

All National Officials are qualified to function at Normal Homologated competitions.

Rule 16.4: Appointment to Panels

A National Cableski Official may be appointed to the panel of a National or International Non-Calendar Competition by his Federation. In the case where the Confederation E&A Cableski Council is unable to appoint a full panel to an International Calendar Competition, it may appoint a National Cableski Official.

Rule 16.5: Examinations

Federations are solely responsible for the examination of National Officials.

Rule 16.6: List of National Cableski Officials

Each Federation shall send a list of its National Officials to the Confederation E&A Cableski Council before the 1st March every year and update the list during the season. Only Cableski Officials appearing on the list will be considered by the Confederation E&A Cableski Council as qualified National Cableski Officials.

Rule 17: Officials Seminar for Judges, Calculators, Technical Officers and Homologators

Rule 17.1: Responsibility and Purpose

The Confederation E&A Cableski Council is responsible for organising an annual Officials Seminar. The purpose of this seminar is to provide Cableski Judges, Cableski Homologators, Technical Officials and Cableski Homologators with:

1. further education in judging and scoring,
2. information on the latest rule changes and their interpretation,
3. practical trick writing, judging and scoring,
4. a trick writing and scoring evaluation.

Rule 17.2: Attendance

1st Class Cableski Judges, International Cableski Calculators, and International Cableski Homologators is not mandatory but is expected to take part in the Officials Seminar at least once every 3 years.

Any 1st Class Cableski Judge who wishes to officiate at any World, Confederation or European titled event or Cash Prize 1 competition is required to have attended one seminar within the previous 3 years.³

2nd Class Cableski Judges are welcome to attend, but if they upgrade to 1st Class Cableski Judges within three years of their attendance, this would NOT be counted for qualification for major events.

Rule 17.3: Date and Venue

Federations wishing to host the seminar should apply in writing to the Confederation E&A Cableski Council who will, as far as possible, announce dates and venues at least two years in advance of each seminar.

The venue should move around in the Confederation, offering an equal chance to officials from all countries to attend. This will be taken into account when allocating seminar venues.

The date should be in spring or autumn of any year.

Rule 17.4: Costs

Each individual attending the seminar is responsible for his own costs of travel and accommodation. Confederation E&A will provide the meeting rooms and lecture facilities.

³ In order to qualify as „attended“, an official must attend the majority of sessions during the seminar.

Rule 18: Harry de Laet Memorial Trophy

Rule 18.1: Purpose

To remember Harry de Laet an annual challenge cup shall be presented.

Rule 18.2: Consignee

The Harry de Laet Memorial Trophy shall be rewarded to the best (based on overall score) participating skier in the Juniors under 15 category of the Confederation E&A Junior Championships.

Rule 18.3: Presentation

The trophy shall be presented to the skier at the prize giving ceremony of the Confederation E&A Junior Championships and with the engraving at the annual Confederation E&A congress to the skier or the representative of his federation. The federation of the skier shall be responsible to bring the trophy to the next Confederation E&A Junior Championships.

Rule 18.4: Duration

The trophy is limited to run for 12 years. As the first trophy was presented in 2007, this rule shall be removed after 2018. After that time the trophy shall be presented to the IWWF Hall of Fame.

Rule 19: Homologator's Checklist

No.	Task	Complete
1	Survey all buoys and the jump for the slalom, jump, and trick courses and adjust as necessary to meet the tolerances of 41, 44, 44. The tolerances in terms of centimeters are displayed on Emmanuel Lion's cable ski survey program. Homologators must take care to measure the lower cable of the wheels at the exact point the cable is tangential to the pulley axis.	
2	Measure height of the lower cable above the water at the towers each end and in the middle under 70 kgs load as shown in 39.	
3	From the homologation computer program, provide the technical official with speed times.	
4	Measure and adjust the lines from the ball furthest from the handle to the middle of the handle according to 39 and 40. Lines must be pre-stretched. Do not accept lines longer than the nominal length, because the tolerance may be exceeded when stretched during the tournament.	
5	Measure the jump at all heights to be used according to 20 and enter the dimensions on the electronic dossier.	
6	Check the colours and sizes of the buoys according to 23	
7	Inspect the speed indication system and check the times by stopwatch.	
8	Check the judges positions for trick and slalom and end gate video if used. 24, 24, 44.	
9	Check the operation and timing of the semi automatic trick timing device or video trick timing device.	
10	Install and survey all buoys and camera positions, if required, to be used for jump measurement. Either Boettcher or Corson systems are acceptable but in either case there must be a check buoy separate from the calibration buoys, installed and	

	surveyed. Care should be taken that buoy anchor lines are sufficiently tight to prevent movement of the buoys from their surveyed position by the effect of wind or wash.	
11	Confirm that there are sufficient radios for all officials and arrangement for re-charging.	
12	Confirm the officials or assistants responsible for video recording trick and slalom (if end gate video used), that the equipment is operating, spare batteries are available and the officials or assistants are trained and understand their duties.	
13	Confirm officials or assistants responsible for timing slalom and jump, their training, viewpoint stopwatches and communication are adequate. 18and 18	
14	Complete with own and Chief Judge's signatures the "Homologation Notice" from the survey program, then print and display for competitor's information.	
15	During trick events be prepared to measure trick ski dimensions, 16	
16	Complete the electronic dossier in the Emmanuel Lion survey program.	
17	Collect the video jump results electronic files when complete.	
18	Collect the completed results from the calculator in all available electronic formats.	
19	Email all result files, the homologation file, and jump results files to Joost de Leijer <j.leijer@planet.nl>	
20	Retain for 1 year any paper start lists, surveys and electronic files for reference in case of an query.	

Appendix 1 :

ENTER FORM INTERNATIONAL TOUR OF CABLESKI

ITC – Stop _____

To be submitted one month before the start of the competition.

The _____ **FEDERATION**

Enters following skiers to the ITC – stop

	Skiers Name :	Sex	slalom	tricks	jump
1					
2					
3					
4					
5					
6					
7					
8					
9					
10					

NAME OF THE PERSON IN CHARGE OF THE TEAM	
---	--

CONTACT DETAILS FOR FUTURE INFORMATION ON THIS ITC – STOP

NAME	
FUNCTION	
ADDRESS	
TELEPHONE NO. MOBILE	
EMAIL ADDRESS	

For late submission of the Enter Form a penalty will be applied
This entry form is to be sent to the Organizer of the ITC – stop AND the Cableski Council

The Organizer of the ITC – Stop	Cableski Council
e-mail to :	e-mail :

Appendix 2 :

Tricks List - International Tour of Cableski

Stop:	
Date:	
Name skier:	

Run 1			
No.	Trick code	Points	OK
1			
2			
3			
4			
5			
6			
7			
8			
9			
10			
Total Run 1		0	0

Run 2			
No.	Trick code	Points	OK
1			
2			
3			
4			
5			
6			
7			
8			
9			
10			
Total Run 2		0	0

Appendix 3 : Who Beat Who Homologation Dossier



Who Beat Who Homologation Dossier

Competition			
Name :			
Place :			
Date :		Competition Code	
Organizer :			

Judges	Class	
Chief		
Calcuator		
Judge 1		
Judge 2		
Judge 3		
Judge 4		

Installation	
Direction (Counter or Counter Clockwise)	
Number of Slalom Buoys (4,5,6)	
Exit Gate (Y/N)	
Visual Inspection incl. Ramp (OK/NOK)	
Speed Check (OK/NOK)	

The Chief Judge is in charge to submit the WBW-Dossier and the results to the Council immediately after the competition. To keep the WBW Standinglist up to date, submit the results Via Lion Calculation program.

Signature Chief Judge